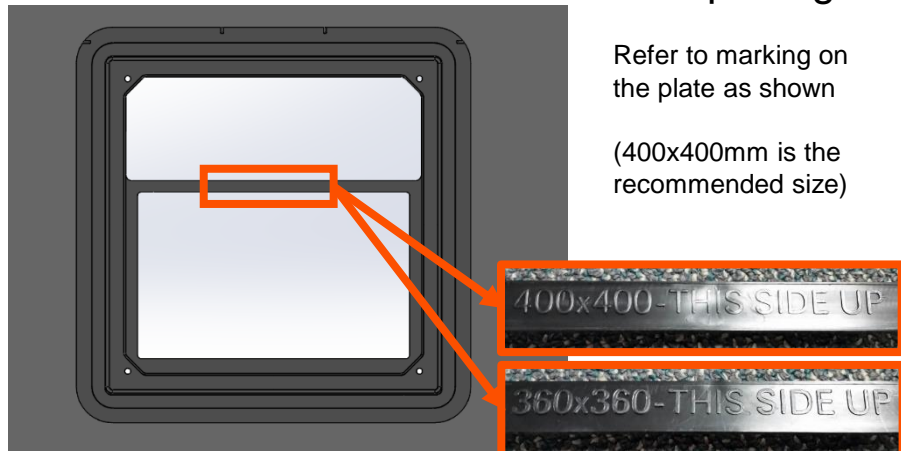


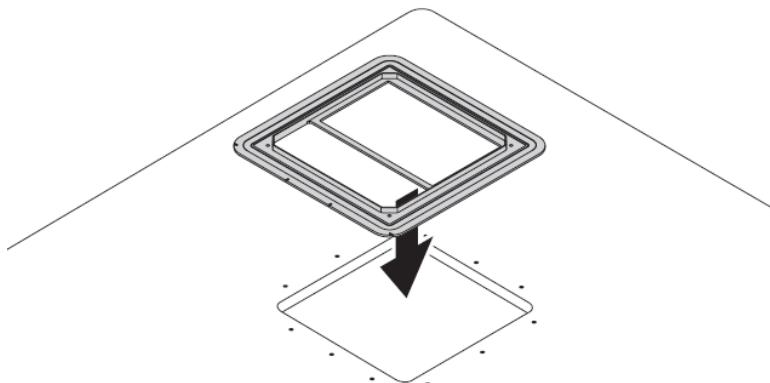
INSTALLING THE HARRIER LITE OR HARRIER PLUS

OUTSIDE THE VEHICLE

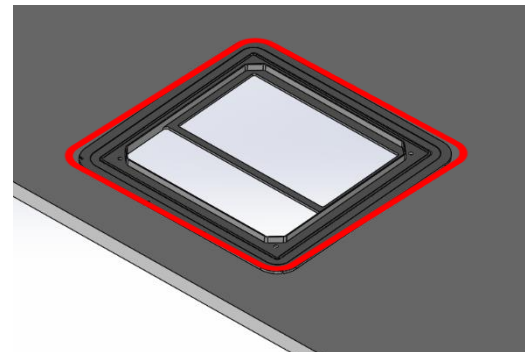
1. Orientate **Roof Frame** based on opening



2. Fit the **Roof Frame** into the roof opening

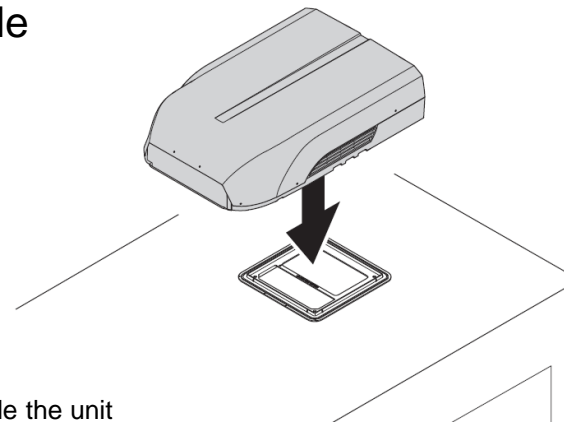


3. Seal around the **Roof Frame**



- Use flexible non-hardening butyl sealing compound such as: SikaLastomer-710, Selleys Butyl Mastic, Bostik ezycalk butyl sealant, or similar products.

4. Lift the **Rooftop Unit** onto the roof of the vehicle

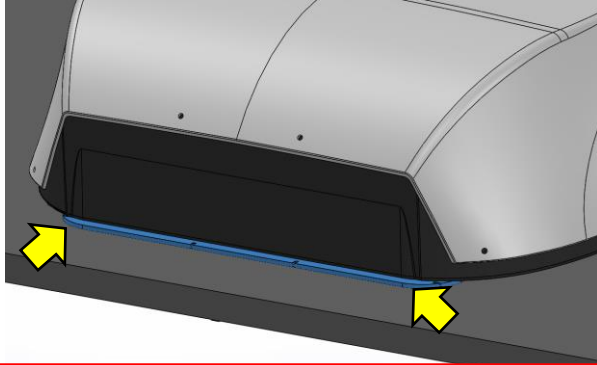


- Do not slide the unit
- Lift only from under the unit and not the grilles

INSTALLING THE HARRIER LITE OR HARRIER PLUS

OUTSIDE THE VEHICLE

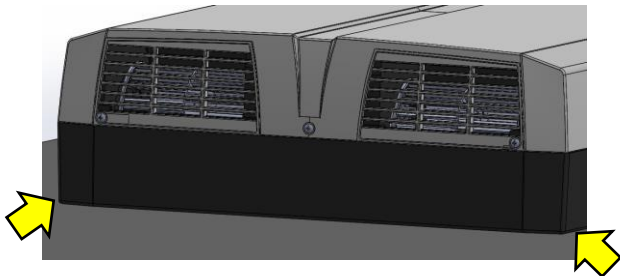
5. Position the **Rooftop Unit** onto the **Roof Plate**



It is **not** necessary to use sealant between the **Rooftop Unit** and the **Roof Plate**

- Align the corners of the roof plate with the features on the basepan of the rooftop unit

6. Level the **Rooftop Unit** to aide fixing the bolts



- Using a cardboard section to level the unit can help to line up the bolts

INSIDE THE VEHICLE

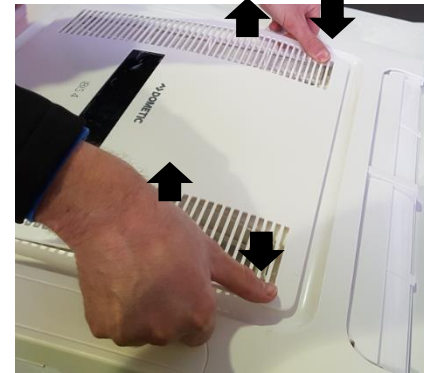
7. Make the electrical connection



Ensure the RV is **not** connected to mains power

- Ensure excess cable is secured out of the way to prevent damage
- Cable tie excess to the side of return air opening if needed to prevent potential vibration or noise from cable movement

8. Remove the **Centre Cover** from the **ADB**



Place you hands as shown and twist the centre of the cover gently toward you to remove

Note: You will need to remove the centre cover before fitting the ADB

INSTALLING THE HARRIER LITE OR HARRIER PLUS

INSIDE THE VEHICLE

9. Select the correct number of **Duct Sections** to suit the vehicle roof thickness (including any H-Frame fitted)

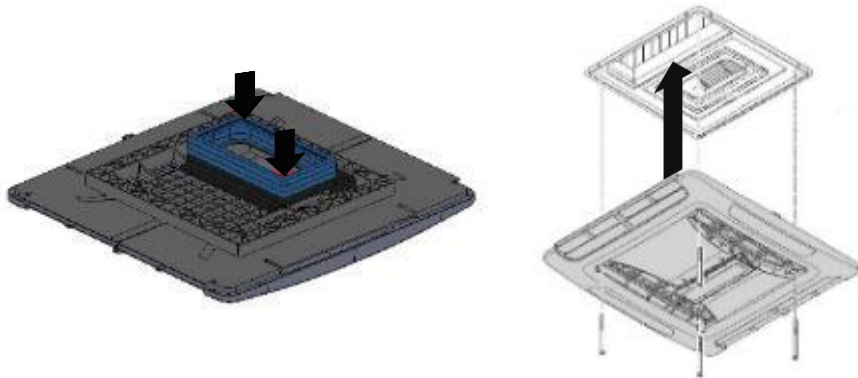


Roof Thickness	Duct Sect. Qty for LITE	Duct Sect. Qty for PLUS
18-28mm	1	2
28-38mm	2	3
38-48mm	3	4
48-58mm	4	5
58-68mm	5	6**

Note: One duct section comes pre-fitted to the ADB

**Additional Duct Sections can be purchased for fitment to thicker roofs

10. Fit the required **Duct Sections** to the **ADB** and raise **ADB** up to the ceiling



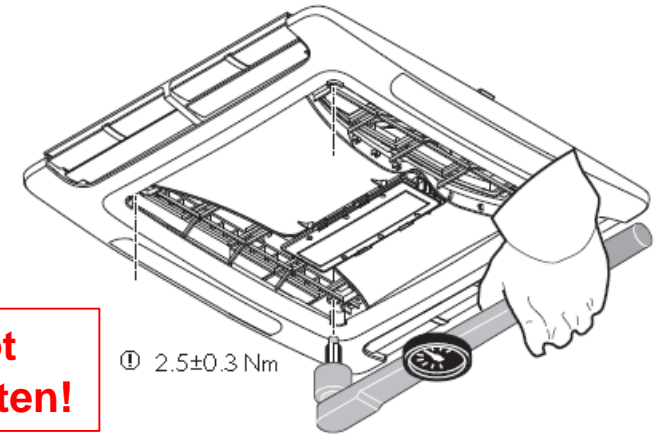
- Check the duct sections insert into the basepan feature with no gap

11. Feed **Communication Cable** from rooftop unit through the opening in the **ADB**



- You will need to slide the filter out slightly to feed the connector through

12. Insert the 4 Bolts and Tighten to **2.5Nm**

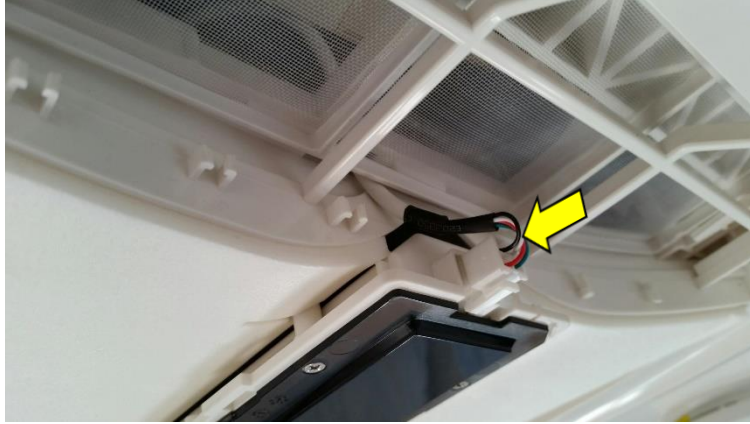


Do Not Overtighten!

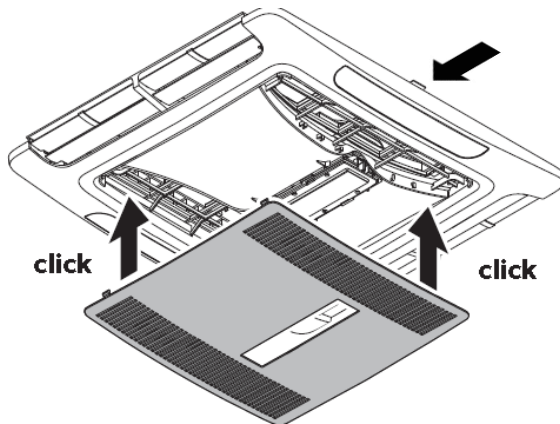
INSTALLING THE HARRIER LITE OR HARRIER PLUS

INSIDE THE VEHICLE

13. Connect **Communication Cable** to display connector

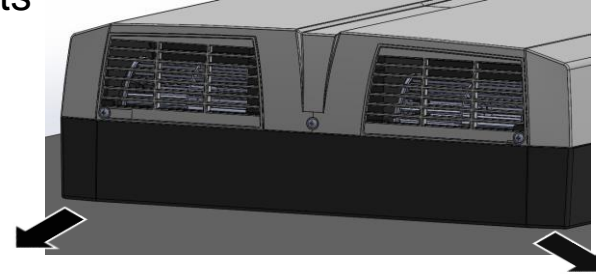


14. Clip **Centre Cover** in place and push the **Filter** back in



OUTSIDE THE VEHICLE

15. Remove the cardboard section from under the **Rooftop Unit** used to aid fixing the bolts



- Recheck the bolt torque inside the vehicle

**Installation is complete.
Connect power and test.**