



Contents

WARRANTY OF REFRIGERATED AIRCONDITIONING	2
GENERAL UNIT INFORMATION	4
PACKING LIST	5
BEFORE INSTALLATION YOU MUST COMPLETE THE FOLLOWING STEPS	6
INSTALLATION	7
COMMISSIONING OF THE UNIT	11
MAINTENANCE	12
GENERAL SPECIFICATIONS	13
OPERATING INSTRUCTIONS	14
IBIS 3 COMPONENTS & SPARE PARTS	16
IBIS 3 WIRING DIAGRAM	18
TROUBLE SHOOTING GUIDE	19

WARRANTY OF REFRIGERATED AIRCONDITIONING

Warranty within Australia

We undertake by this warranty to rectify, free of charge, at our nearest authorised service agent, any fault due to faulty workmanship or replacement of any faulty components within 12 months **from the date of the first retail purchase thereof**. This undertaking is conditional upon the appliance being installed and operated in accordance with our instructions, and does not apply to consumable components such as filters, or to adjustments necessary due to misuse of airconditioner. Normal user maintenance, setting of controls and transit damage are also excluded. No other person, firm or corporation is authorised by us to offer or give on our behalf any other or greater warranty than that given by us under this warranty. The benefits conferred by this warranty are in favour of the original retail purchaser and any other person deriving title to the goods through or under such person and are intended to be separate from the additional to all other rights and remedies which they may have in law in respect of the goods. Warranty is void if used on commercial applications, including trucks, prime movers, locomotives & machinery.

1. In the event that warranty service is required, the purchaser **must** contact Aircommand Australia for service approval.
Contact information: phone +61 8 8345 8444, fax 08 8243 0628, or email sales@aircommand.com.au
2. Warranty repairs will only be carried out by the **manufacturer's authorised service repairer**.
3. It is the purchaser's responsibility to **deliver** unit to the manufacturer's nearest authorised Service Centre.
The manufacturer will not bear any costs involved in Service Agent's travelling expenses or delivery charges.

Warranty outside Australia

1. Aircommand products are covered by 12 months warranty from date of first retail purchase.
2. For warranty enquiries outside Australia, please contact your national supplier.
** The warranty card must be completed and returned to the manufacturer for registration, or to the distributor in country of purchase. Online warranty registration is available at www.aircommand.com.au/registration.html*

GARANTIE FÜR KLIMAGERÄT MIT KÜHLFUNKTION

Garantie innerhalb Australiens

Wir verpflichten uns mit dieser Garantie, innerhalb von 12 Monaten **ab Datum des ersten Einzelhandelskaufs**, über unseren nächsten Vertragshändler jeden durch fehlerhafte Verarbeitung entstandenen Defekt kostenlos zu beheben oder alle defekten Teile kostenlos auszutauschen. Diese Verpflichtung gilt unter dem Vorbehalt, dass das Gerät im Einklang mit unseren Anleitungen installiert und betrieben wird, und gilt nicht für Verschleißteile wie z.B. Filter oder für Korrekturarbeiten, die durch den Missbrauch des Klimageräts bedingt sind. Normale Wartung durch den Benutzer, die Einstellung der Bedienelemente und Transportschäden sind ebenfalls ausgeschlossen. Wir haben keine anderen Personen, Firmen oder Unternehmen bevollmächtigt, in unserem Namen irgendeine andere oder weiter reichende Garantie anzubieten oder zu geben als die von uns im Rahmen dieser Garantie erteilte. Die mittels dieser Garantie gewährten Leistungen gelten zu Gunsten des ursprünglichen Einzelhandelskäufers oder jeder anderen Person, die ihren Anspruch auf die Waren durch oder von dieser Person ableitet, und sind dazu gedacht, getrennt von allen zusätzlichen Rechten und Behelfen zu gelten, die ihnen kraft Gesetzes hinsichtlich dieser Waren zustehen.

1. Für den Fall, dass eine Garantieleistung erforderlich wird, muss sich der Käufer mit Aircommand Australia zur Genehmigung der Leistung in Verbindung setzen. Kontaktinfo: Tel. +61 8 8345 8444, Fax: 08 8243 0628 oder E-Mail: sales@aircommand.com.au
2. Unter die Garantie fallende Reparaturen werden nur durch den **Vertragsreparaturdienst des Herstellers** ausgeführt.
3. Die **Lieferung** des Geräts an das nächstliegende Service Centre des Herstellers ist Aufgabe des Käufers.
Der Hersteller deckt keine der durch die Anfahrtkosten des Vertragsdienstes oder Lieferkosten entstandenen Ausgaben.

Garantie außerhalb Australiens

1. Für die Produkte von Aircommand gilt eine 12-monatige Garantie ab Datum des ersten Einzelhandelskaufs.
2. Für Garantieanfragen außerhalb Australiens wenden Sie sich bitte an Ihren inländischen Händler.
** Die Garantiekarte ist auszufüllen und dem Hersteller, bzw. dem Vertriebshändler im Einkaufsland, zur Registrierung zuzuschicken. Die Garantie kann online unter der folgenden Adresse registriert werden: www.aircommand.com.au/registration.html*

GARANTIE DE CLIMATISATION RÉFRIGÉRÉE

Garantie pour l'Australie

Nous nous engageons par cette garantie à faire rectifier gratuitement par notre agent de service tout défaut résultant d'un défaut de fabrication ou de remplacer tout composant défectueux dans les 12 mois suivant la date du premier achat de l'appareil au détail. Cet engagement est conditionnel à l'installation et à l'exploitation de l'appareil conformément à nos instructions, et ne s'applique pas aux composants consommables tels que les filtres, ou à un réglage attribuable à la mauvaise utilisation du climatiseur. L'entretien, les réglages des commandes et les dommages en transit sont également exclus. Aucune autre personne, firme ou entreprise n'est autorisée par nous à offrir ou à donner en notre nom toute autre garantie ou une garantie supérieure à celle donnée par nous en vertu de cette garantie. Les avantages conférés par cette garantie reviennent à l'acquéreur au détail original ou à toute autre personne qui deviendra propriétaire de l'appareil par le biais de cette personne ou avec son autorisation et sont censés être supplémentaires à tous les autres droits et recours dont il pourra disposer légalement en ce qui concerne l'appareil.

1. Au cas où un service de garantie serait nécessaire, l'acquéreur doit contacter Aircommand Australia pour obtenir une autorisation de service.
Coordonnées: téléphone +61 8 8345 8444, fax 08 8243 0628, ou email sales@aircommand.com.au
2. Les réparations sous garantie seront effectuées exclusivement par le **réparateur autorisé du fabricant**.
3. La responsabilité incombe à l'acquéreur de livrer l'appareil au Centre de service autorisé le plus proche du fabricant.
Le fabricant ne subira pas les frais de déplacement ou de livraison de l'agent de service.

Garantie en dehors de l'Australie

1. Les produits Aircommand sont couverts par une garantie de 12 mois à compter de la date du premier achat au détail.
2. Pour toute demande de renseignements en dehors de l'Australie, veuillez contacter votre fournisseur national.
** La carte de garantie doit être remplie et renvoyée au fabricant pour être enregistrée, ou au distributeur dans le pays de l'achat. Un enregistrement de garantie en ligne est disponible sur www.aircommand.com.au/registration.html*

GARANTÍA DEL ACONDICIONADOR DE AIRE REFRIGERADO

Garantía en Australia

Nos comprometemos por medio de esta garantía a rectificar, sin cargo, en nuestra agencia de servicio autorizado, cualquier fallo causado por un componente defectuoso dentro de los 12 meses contados **a partir de la primera fecha de compra**. Este compromiso es condicional a que el aparato haya sido instalado y operado de acuerdo con nuestras instrucciones y no cubre componentes de consumo tales como filtros, o cualquier ajuste necesario debido al uso incorrecto del acondicionador de aire. Se excluyen también las tareas de mantenimiento normales, el ajuste de los controles y cualquier daño ocurrido durante su transporte. Ninguna otra persona, firma o corporación está autorizada a ofrecer o dar en nuestro nombre una garantía más extensa o diferente a la otorgada por esta garantía. Los beneficios conferidos por esta garantía son a favor del comprador original y cualquier otra persona que tenga derecho al título de la mercadería a través o bajo dicha persona y está separada de otros derechos adicionales o soluciones a las que puedan tener derecho, según la ley, respecto a las mercaderías.

1. En el caso que se necesite hacer uso del servicio de garantía, el comprador **debe** ponerse en contacto con Aircommand Australia para la aprobación del servicio. Información de contacto: Teléfono: +61 8 8345 8444, fax 08 8243 0628 o Email sales@aircommand.com.au
2. Las reparaciones cubiertas por la garantía deberán ser llevadas a cabo por el **servicio de reparaciones autorizado por el fabricante**.
3. **La entrega** de la unidad al Centro de Servicio más cercano autorizado por el fabricante es responsabilidad del comprador
El fabricante no se hará responsable de ninguno de los costes involucrados por gastos de viaje o cargos de entrega por parte del agente proveedor del servicio

Garantía fuera de Australia

1. Los productos de Aircommand están cubiertos por 12 meses de garantía a partir de la primera fecha de compra.
2. Por cualquier información respecto a la garantía fuera de Australia, sírvase ponerse en contacto con su proveedor nacional.
** Esta tarjeta de garantía debe ser completada y enviada al fabricante para su debida registración o alternativamente al distribuidor en el país de compra. La registración de la garantía puede hacerse también online en: www.aircommand.com.au/registration.html*



INSTALLATION & OPERATING INSTRUCTIONS FOR IBIS 3 AIRCONDITIONER

HEAD OFFICE

Aircommand
Australia Pty Ltd
954-956 Port Road
Albert Park, SA 5014
ACN 164 415 445

For warranty claims, sales
enquires or customer
service

Call:

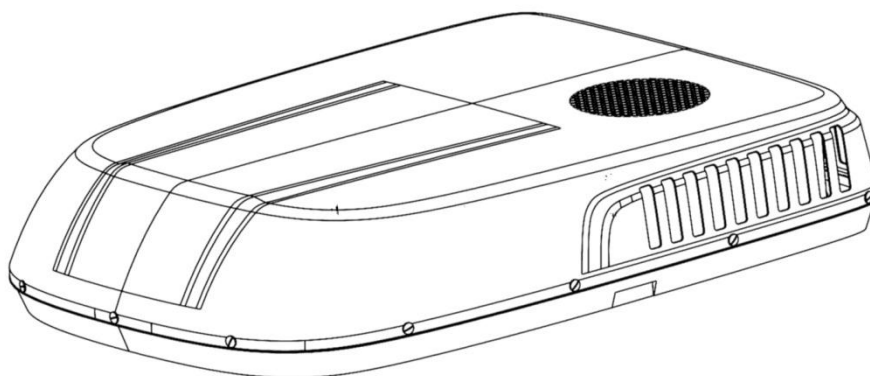
(08) 8345 8444

Fax:

(08) 8243 0628

Email:

service@aircommand.com.au



Model Number: 8100001

Serial Number: _____.

Date Purchased: _____.

WARNING

It is important that this installation manual is properly read and understood before installation. The unit must be installed by a qualified tradesperson. Failure to properly install the unit or attempting to modify it in any way can be extremely hazardous and may result in property damage and personal injury.

Aircommand will not be held responsible for problems relating to incorrect or improper installation methods.

GENERAL UNIT INFORMATION

I. PURPOSE

The Aircommand Ibis 3 air conditioning unit was designed for installation on the roof of a caravan or recreational vehicle to provide reverse cycle heating and cooling. The unit is intended for vehicles with roofs that are from 25 to 85mm thick. The unit must be installed so that it is within $\pm 5^\circ$ of the horizontal plane. It is important that the unit is installed properly according to the recommended guidelines.

II. ENSURING EFFECTIVE OPERATION

The effectiveness of the air conditioner is dependent on several factors that contribute to the total heat load on the van. When an Aircommand unit is installed in a van or motorhome Aircommand assumes that the vehicle manufacturer or owner has properly assessed the potential heat load or sought expert advice and selected the appropriate capacity air conditioning unit.

Roof hatches will significantly increase the heat load into the caravan. Where possible avoid installing roof hatches or only install hatches that can be effectively insulated. The increase in heat load far outweighs the gain from natural lighting.

The following actions can be taken to reduce peak heat load and help the air-conditioner deliver the most comfort:

- Closing all doors, hatches, windows and blinds. Extend all annexes.
- Position the vehicle so that the annex will face the sun and protect the windows from direct solar radiation.
- Turning off unneeded appliances that might increase the heat load inside the van.
- Cook outside if possible.
- Park the caravan/RV in a shaded position.

In periods of extreme high temperature it is recommended to start the air conditioner earlier in the morning to greatly improve its ability to cope with the expected peak heat load.

III. CONDENSATION

In areas of high humidity, the humid air within the van will cause “sweating” or condensation in parts of the unit as the humid, warm air contacts the colder air discharged from the system. If this occurs please ensure the following:

- Close all doors, hatches, windows and blinds to limit the ingress of warm humid air.
- Avoid running the inside fan on LOW or AUTO in humid conditions. Running the fan on HIGH fan speed will result in higher airflow and reduce the tendency to have condensation form.

Aircommand will not be held responsible for damage caused by condensation.

IV. GENERATORS

The Ibis 3 is designed to run using mains power, however many owners may want to use portable generators to run the unit when in remote locations. **Any generator used should deliver high quality, pure sine wave, alternating current at 50Hz, and be able to handle the compressor start up demand.** Given the vast range in quantity and quality of generators on the market Aircommand cannot recommend a specific model or brand. Discuss your specific requirements with the generator supplier directly and consider their recommendations.

Aircommand will not be held responsible for damages due to the use of improper generators and such use may void your warranty.

PACKING LIST

The components of your Ibis 3 will be contained in 2 cartons. Unpack the carton when you are ready to install and check that the contents are as below:

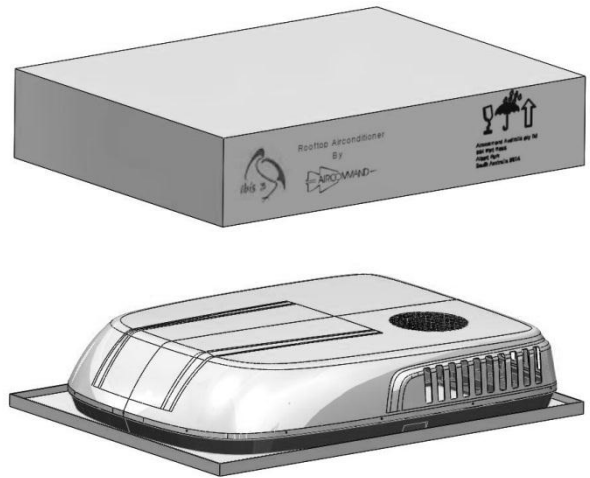
Main Carton - 1160 x 890 x 250mm Weight 47kg

Contents:

1. Ibis 3 Roof top air conditioner – 1 only



IMPORTANT – Pay attention to the orientation of the ‘This Way UP ‘ arrows on the carton. If the unit has been upside-down for any period of time then **DO NOT install**. Contact Aircommand Australia for advice



Plenum Carton- 557 x 577 x 119mm Weight 3kg

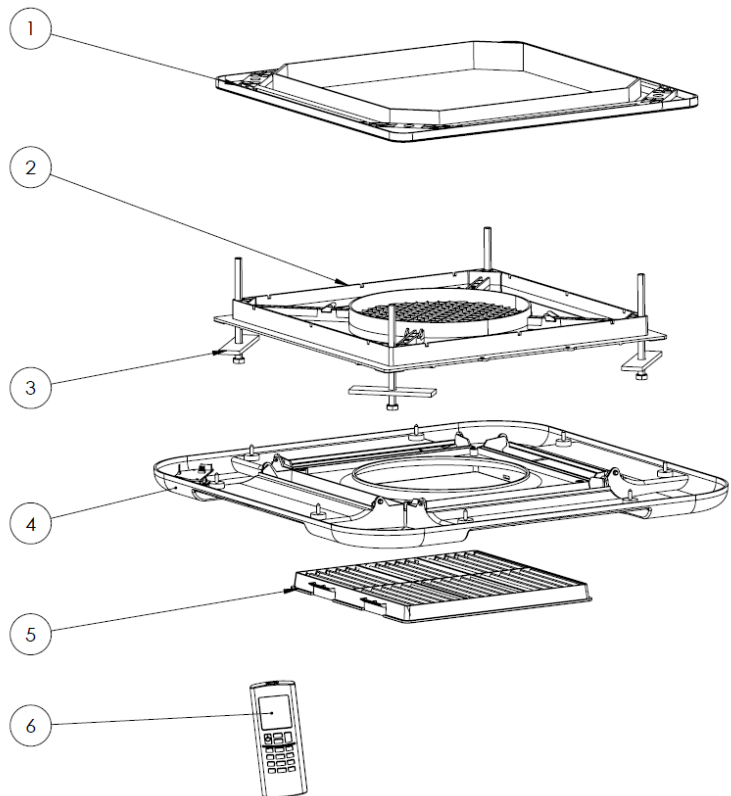


Contents:

1. Weather seal collar – 1 only
2. Duct & Brace – 1 only
3. M8 x 120mm bolts, washers & hold down bars – 4 sets
4. Plenum assembly - 1 only
5. Return air filter - 1 only
6. Remote control & bracket – 1 only

Not shown

- Wood screws #6 x 1” – 12 only
- This booklet



If you note that any items are missing or damaged then please contact Aircommand Australia

BEFORE INSTALLATION YOU MUST COMPLETE THE FOLLOWING STEPS

- Checked that roof thickness is between 25 – 85mm. If roof is greater than 85mm thick you will need an Ibis 3 Thick roof adapter (Part No 8102007) from Aircommand. Note that this measurement must include any 'H-Frames' used.
- Confirmed that the unit will be within $\pm 5^\circ$ of the horizontal plane.
- The installation instruction sections (pages 7 - 10) have been read.
- Roof strength has been assessed.
- Position of the unit has been assessed for clearance on the roof and ceiling.
- The installation hole will not cut through any wiring in the roof.
- Mains power or battery driven inverter power supply has been isolated.
- Selected the correct sealant for your application.
- Safe work method for lifting unit onto the roof top has been assessed.

Installation must conform to local wiring regulations.

DO NOT attempt to modify or add components to the installation procedure.

This equipment must only be serviced by a licensed refrigeration mechanic.

If your installation varies from the method outlined please contact Aircommand for specialty advice.

WARNING

The unit weighs approximately 45kg, ensure a two person lift or use a mechanical hoist to avoid the risk of injury.

Failure to properly install the unit or attempting to modify it in any way can be extremely hazardous and may result in property damage and/or personal injury.

Aircommand will not be held responsible for issues arising from incorrect or improper installation methods.

Mark out the position of the unit based on the following important requirements:



Before cutting holes through the roof ensure that mains power or battery driven inverters are disconnected

- The unit requires a 360 x 360mm square hole for installation.
- The Ibis 3 should be placed as close as possible to the centre of the caravan or RV so that conditioned air can circulate evenly.
- Ensure that the air outlets will not be blowing directly onto obstructions.
- Consideration should be given to service access. Ensure that location of hatches, solar panels, antennas etc will not prevent access for service personnel.
- The roof **MUST** be strong enough to support the weight of the unit (46kg + 2kg indoor unit). Contact your caravan manufacturer to confirm that this load can be supported by the roof.
- **EXTERNAL CLEARANCE.** The path of the outside fan exhaust must be free. A gap of at least 50mm is required between the roof top unit and any obstructions. Figure 1

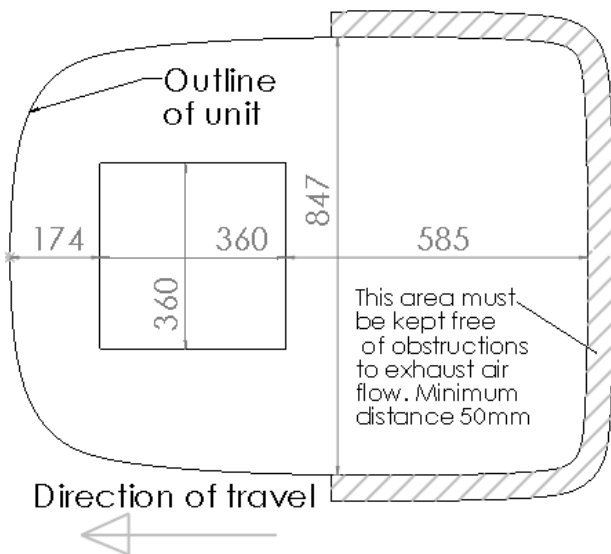


Figure 1 - Foot print of the roof top air conditioner over 360 x 360mm mounting hole. The area at the back (shown in cross hatch) must be kept free of obstructions.

- **INTERNAL CLEARANCE** The inside plenum has a foot print of 535 x 535 mm centered around the installation hole. Figure 2

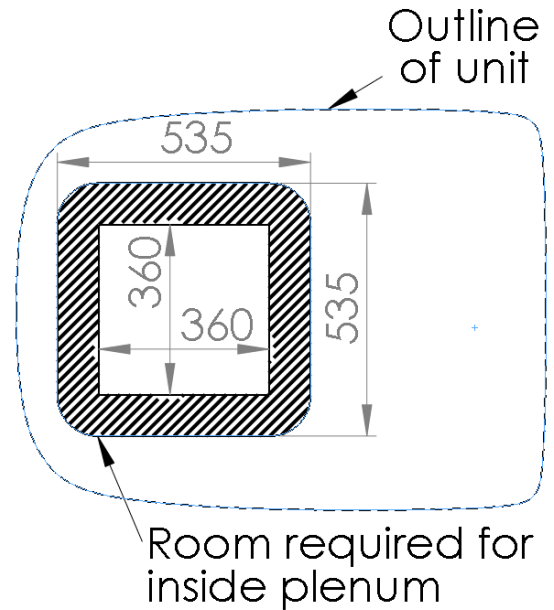


Figure 2- Inside plenum foot print.

- The installation hole must be boxed up with material that is strong enough to withstand the compression from the hold down bolts. 20mm wide timber would be required at a minimum.

Contact Aircommand if your installation differs significantly from that prescribed above.

1. Cut installation hole

WARNING



There may be electrical wiring located in the ceiling space. Ensure that power is properly disconnected at the supply (mains and/or battery). Failure to do so may result in personal injury or death.

- Once the position of the unit has been determined cut out the 360 x 360 installation hole and boxed up.
- Ensure that the main power supply for the unit has been led through and is available for connection.
- The installation hole must be sealed from the ceiling space to prevent air conditioned air leaking into the ceiling cavity.

2. Attach weather collar to roof

- Locate the weather collar (Item #1).
- The collar has one side marked “THIS SIDE UP”. This **top side** will point to the sky. Figure 3

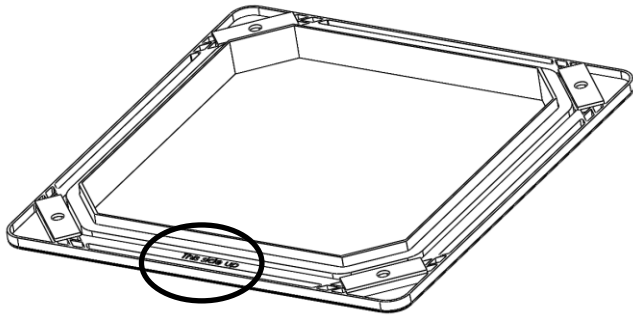


Figure 3 - Top side of weather collar showing THIS SIDE UP also has 4 grey foam strips around each bolt hole

- The other side, **the underside** will be sealed onto the roof. Figure 4

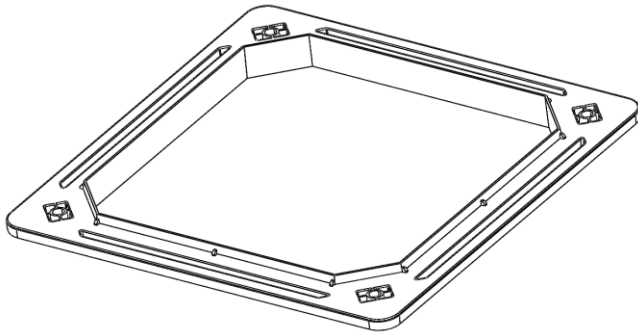


Figure 4 - The underside of the weather collar



Select a suitable sealant for bonding the weather collar to the caravan roof. The collar is made from glass filled Nylon-6,6.

Consult your specialist adhesive supplier about the correct sealant to use for your application. Follow all directions on the MSDS particularly those regarding PPE, safe use & disposal.

- Apply the recommended sealant to the **underside** of the weather collar Figure 5



Figure 5 - Recommended sealant path

- Flip the collar over and firmly press the sealant side to the roof of the caravan.
- Apply a circle of sealant around each of the four bolt holes. Figure 6

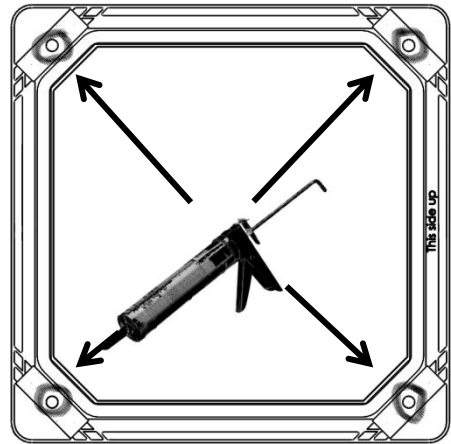


Figure 6 - Sealant around bolt holes on the top side

- The weather collar is now ready for the roof top unit.

3. Position roof top unit

Use app



proved methods to lift the unit – 46kg.

- Position the unit over the 360 x 360mm hole with the weather collar installed. Figure 7
- Lower the unit so that it engages with the collar.

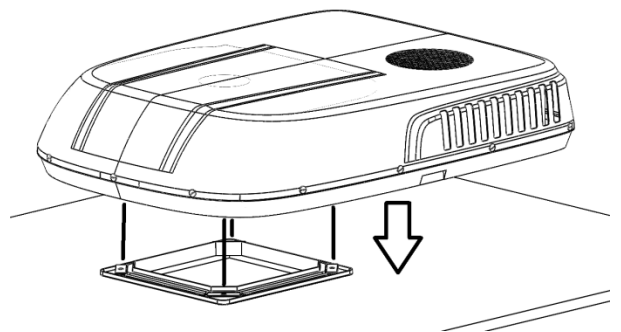


Figure 7– Lower & engage unit

- Move inside the caravan.
- Note position of the electrical power supply entering the 360 x 360 hole. If the roof is thin (25-30mm) you may have to put a notch in the duct & brace part in order to lead the cable through.

4. Electrical supply

! This unit **MUST** be installed in accordance with **AS/NZ 3001:2008** "Electrical installations – transportable structures & vehicles including their site supplies". Ensure that power is properly disconnected at the supply (mains and/or battery). Failure to do so may result in personal injury or death. This connection can only be done by a suitably licensed electrical tradesperson.

- From inside the caravan look up and locate the unit's 3-pole terminal block. Figure 8
- Connect the power supply lead to the terminal block of the unit taking note of the active, neutral and ground conductors.

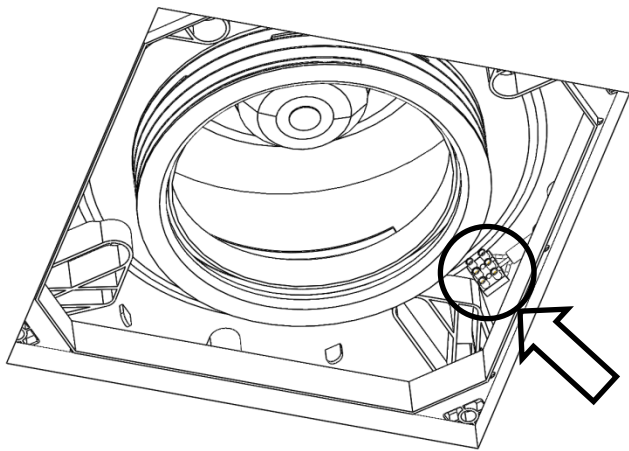


Figure 8 – 3 Pole terminal block

5. Secure unit to roof

- Assemble the M8 bolts, washers and hold down bars. (Item #3)
- Raise the Duct and brace (Item #2) towards the installed unit.
- Insert the M8 Bolt assembly through the corner holes. Figure 9
- Engage the bolts into the unit.
- Ensure that the hold down bars are aligned with their recess.
- Tighten the 4 bolts evenly.

! Tighten the bolts to 12 – 14 Nm torque. Do not exceed 14 Nm.



Figure 9- Assemble Bolt, washer & bar into duct & brace

6. Connect return air duct

- Reach up between the diagonal arms of the duct & brace. Grasp the blue plastic collar on the end of the concertina duct.
- Pull the collar downwards until it engages with the central duct. Figure 10
- Pull until the collar snaps into place with the 4 catches on the diagonal arms.

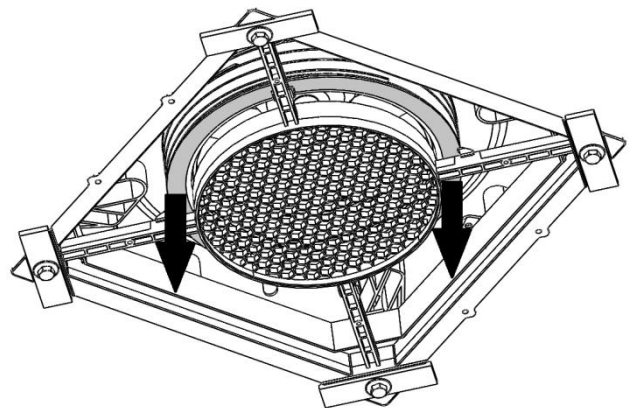


Figure 10 - Engage central duct

7. Attach plenum assembly

- Locate the Plenum assembly (Item#4) and remove the filter (Item #5). See Figure 16
- Locate 4 of the counter sunk Wood screws #6 x 1".
- Connect the control cable that leads from the plenum to the roof top unit. Ensure the plug mates with the socket and the catch is engaged. Figure 11

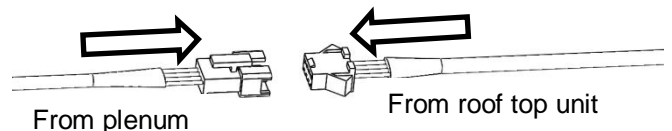


Figure 11 - Connect control cable

Attach plenum assembly cont.

- Raise the plenum assembly towards the roof top installation.
- Engage a counter sunk screw into one of the 4 holes in the corner of the filter recess.
- Raise the plenum and engage the screw into its mating hole on the diagonal arm of the brace. Figure 12
- Repeat for 3 other screws.
- Tighten screws until the plenum has been pulled up to the ceiling. Do not over tighten.

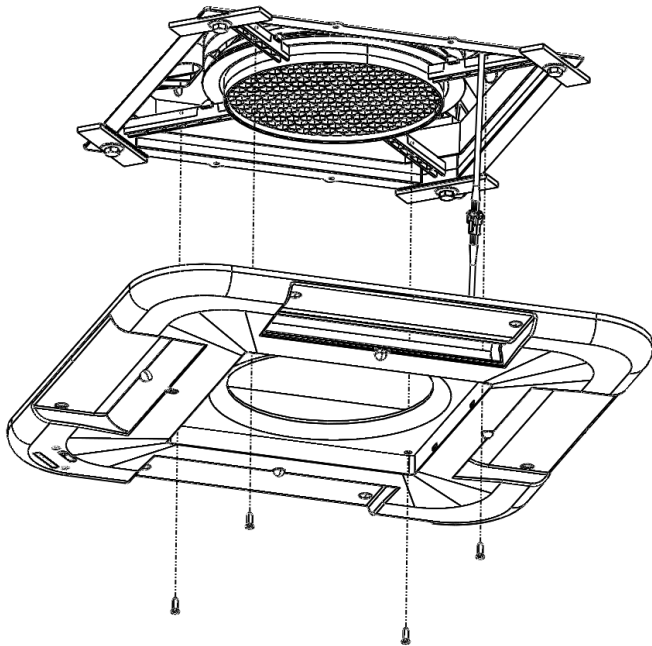


Figure 12 - Connect plenum cover to brace arms with 4 screws

In some installations the ceiling may be uneven and one or more sides of the plenum will require additional fixtures. Figure 13

IF REQUIRED

- Remove the cover caps.
- Screw in countersunk wood screws provided.
- Tighten until gap is gone.
- Replace cover caps.

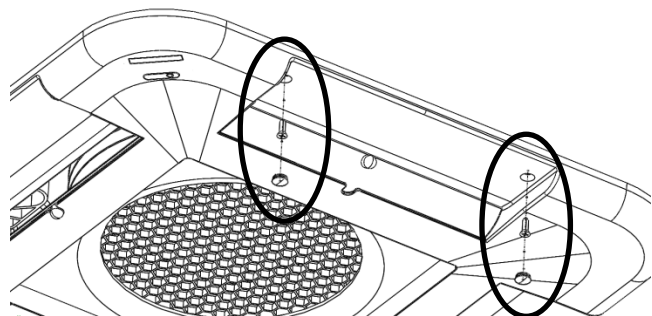


Figure 13 - Extra screws to close gap around plenum

8. Install return air filter

- Locate the return air filter. (Item #5).
- Align the tabs on one side of the filter body with matching slots in the plenum. Insert the filter into the recess in the plenum. Figure 14
- Push the filter upwards until both catches engage and hold the filter in place. Figure 15

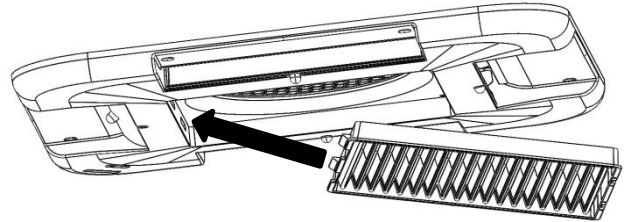


Figure 14 - Insert filter tabs into slots

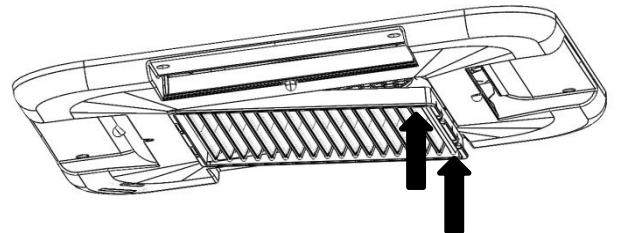


Figure 15 - Push upwards

1. To remove the filter from the plenum Figure 16:
 1. Push both tabs inwards
 2. Swing down

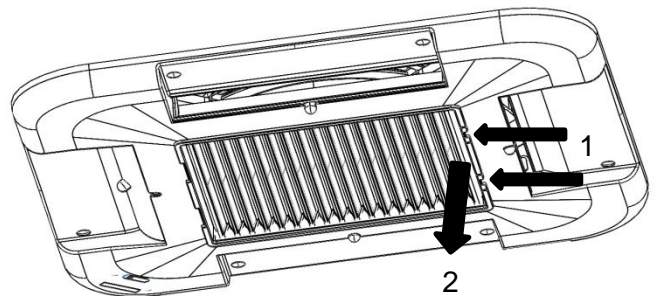


Figure 16 - Remove filter from plenum

INSTALLATION IS NOW COMPLETE – PROCEED TO COMMISSIONING

COMMISSIONING OF THE UNIT

- Turn the power on at the circuit breaker.
- Using the remote control (Item #6) press the ON/OFF button. Figure 17. Each command from the remote control should be answered by a 'beep' from the receiver in the plenum.

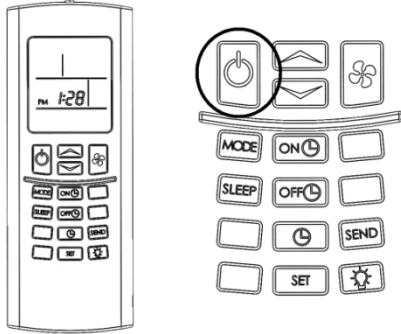


Figure 17 - Turn unit on

- Press the MODE button until FAN mode is selected. Figure 18

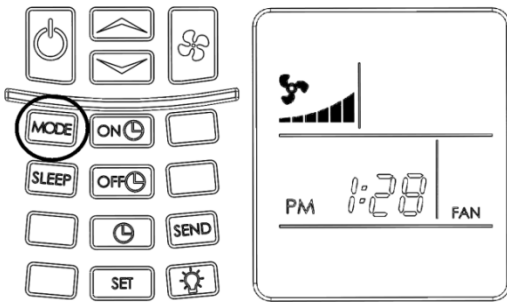


Figure 18 - Select FAN mode

- Press the FAN button to cycle through High – Medium – Low fan speeds. Figure 19. Note air flow as the speeds change.

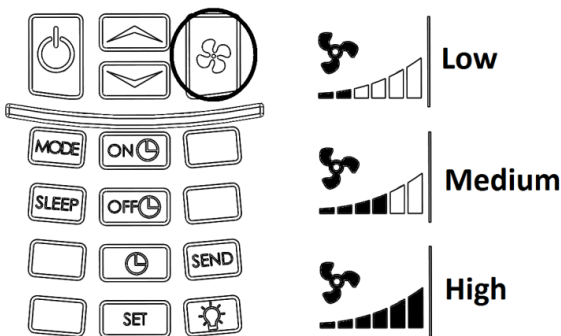


Figure 19 - Change fan speed

- Press MODE button until COOL is selected.

Figure 20

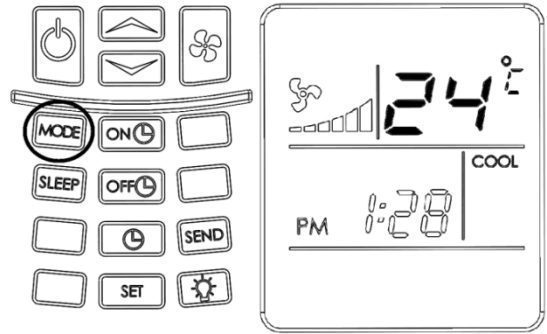


Figure 20 - Select COOL mode

- Decrease the set point temperature below the room temperature by pressing the TEMPERATURE DOWN button. Figure 21. The compressor will start within three minutes. Run unit until you can feel cool air from plenum outlets.

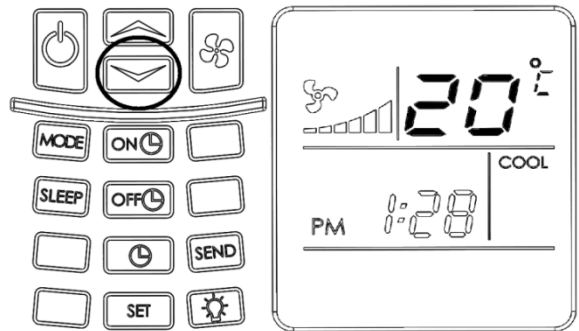


Figure 21 - Decrease SET POINT temperature

Note: Regardless of the mode selected there will always be a delay before the compressor starts. This delay is to protect the compressor and cannot be overridden.

- Set mode to HEAT, and increase the set point temperature above the room temperature. Figure 22. After the protection delay the compressor will start.

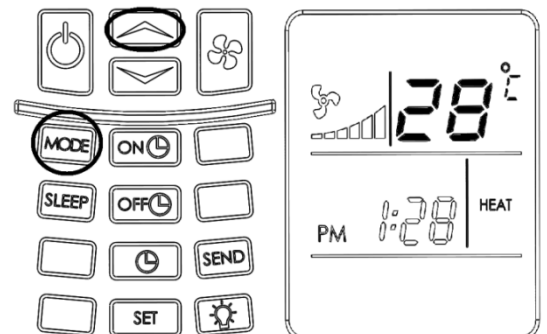


Figure 22 - Change to HEAT mode and increase SET POINT

Replacement return air filters can be ordered directly from Aircommand. (Part No. 8102044)

Note: In heating mode the fan will not begin blowing air until the inside coil has reached a temperature of at least 30°C. This is to prevent cold draughts. Fan speed will increase to the set speed as the coil temperature increases.

- Press ON/OFF button once more to turn the unit off.

Commission check list

- Unit beeps when remote buttons are pressed
- Fan runs and air volume changes with speed
- Cooling mode produces cool air
- Heating mode produces warm air
- ON / OFF button turns the unit on & off

COMMISSION IS NOW COMPLETE

MAINTENANCE

1. Filter


The filter must be cleaned periodically to ensure that it does not become clogged with dust and other particles. The state of the filter can be ascertained from its appearance, if it appears dirty or clogged then it should be cleaned.

A blocked filter will impair the cooling & heating performance of the unit significantly.

To clean the filter, first remove it by pushing both tabs on the side to release. Figure 16. Swing the filter down and out. Figure 15 & Figure 14.

The filter can be washed with warm soapy water. Care must be taken to avoid ripping the fabric. The filter must be completely dry before reinstallation.

Replace by reversing the above process this process.

WARNING
 Airborne particles can pose a health risk, particularly to young children and the elderly. Ensure that filters are cleaned in a safe and well ventilated area

The filter should be cleaned every four weeks or more when in use. Prolonged use, higher concentrations of airborne particles and various other factors may result in the filters needing to be cleaned more often.

2. Remote control

The remote control can be cleaned with a damp cloth.

If the remote will not be used for a period of time it is recommended that the batteries are removed & stored separately. Remove the cover to the battery compartment by sliding in direction shown below Figure 23. Replace with 2 x AAA batteries. Check battery polarity. Replace cover.

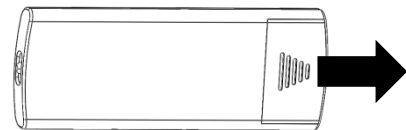


Figure 23 - Remote control batteries

3. Hold Down bolts

Aircommand suggests that the 4 hold down bolts attaching the unit to the roof are initially checked for tightness within the first 3 months of installation, and thereafter every 12 months if the van is in constant use. The recommended bolt torque is 12-14 Nm.

4. Storage

The air conditioner should be run on a routine basis to ensure the components remain in working order.

If the van is in storage or is to remain unoccupied for an extended length of time it is recommended that the air conditioner is allowed to run uninterrupted for 20-30min once every six months.

5. Warranty Claims

The unit comes with a one year manufacturer's warranty from date of purchase. It is **IMPORTANT** that you read and understand the conditions of the warranty agreement which are included with the unit.

If you have a claim please contact Aircommand directly on (08) 8345 8444, alternatively you can fax (08) 8243 0628 or email service@aircommand.com.au, please have your unit serial number ready. Refer to Figure 24 for the location of the unit's serial number.

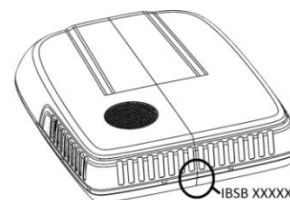
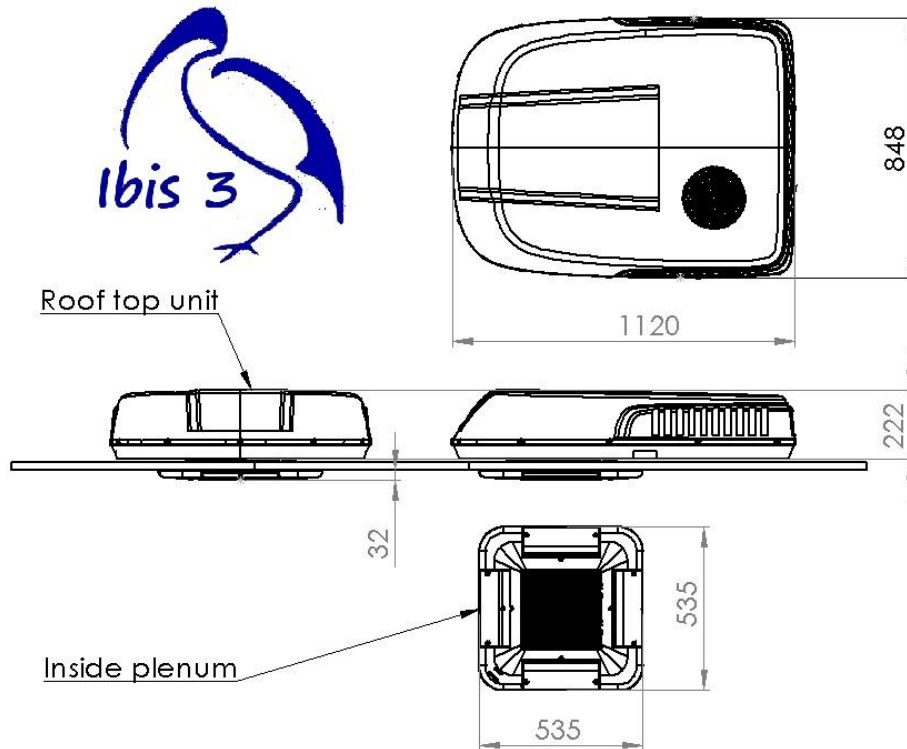


Figure 24 - Serial number location

GENERAL SPECIFICATIONS

Model 8100001	Roof top Unit	Inside Plenum
Height (mm)	222	32
Width (mm)	848	535
Length (mm)	1120	535
Weight (kg)	45.4	2.7



AIRCOMMAND AUSTRALIA PTY LTD
 IBIS 3
 MODEL NO. 8100001
 230V AC 50Hz
 REFRIGERANT 407C 870 G
 RATED CAPACITY COOLING 3100 W
 HEATING 2700 W
 POWER INPUT COOLING 1300 W
 HEATING 1210 W
 RATED CURRENT COOLING 5.8 A
 HEATING 5.5 A
 MAX INPUT 1700 W
 MAX CURRENT 7.5 A
 MAX. DISCHARGE / SUCTION PRESSURE
 3000 kPa / 700 kPa
 PROOF RATING IP24

TOTAL AIR DELIVERY MAXIMUM 180 L/s

E&OE All values are approximate & subject to change

OPERATING INSTRUCTIONS

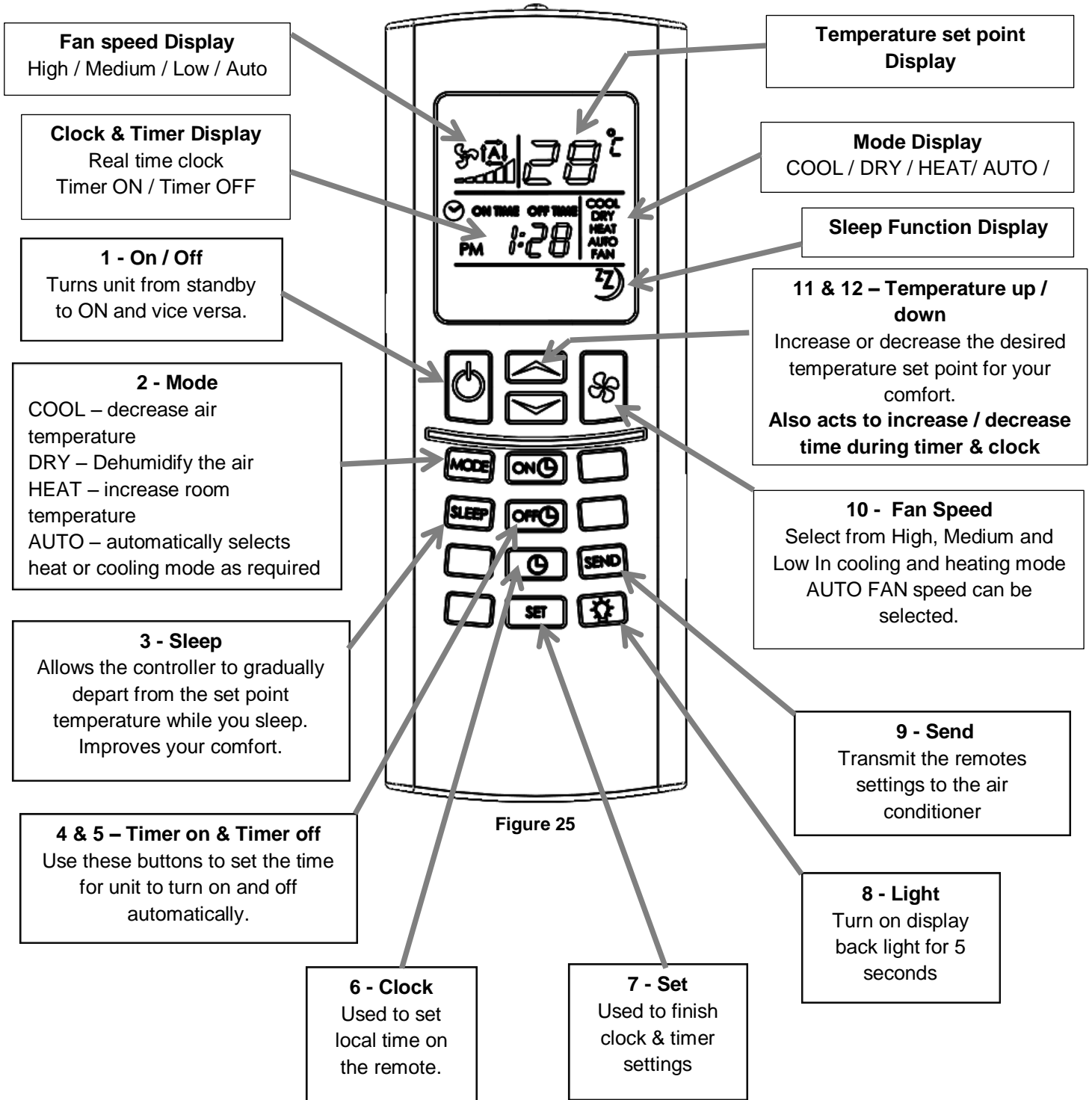


WARNING

This appliance is not intended for use by persons (including children) with reduced physical, sensory or mental capabilities, or lack of experience and knowledge, unless they have been given supervision or instruction concerning use of the appliance by a person responsible for their safety.

Remote Control Operation

The remote control is used to control all functions of the air conditioner. Figure 25.

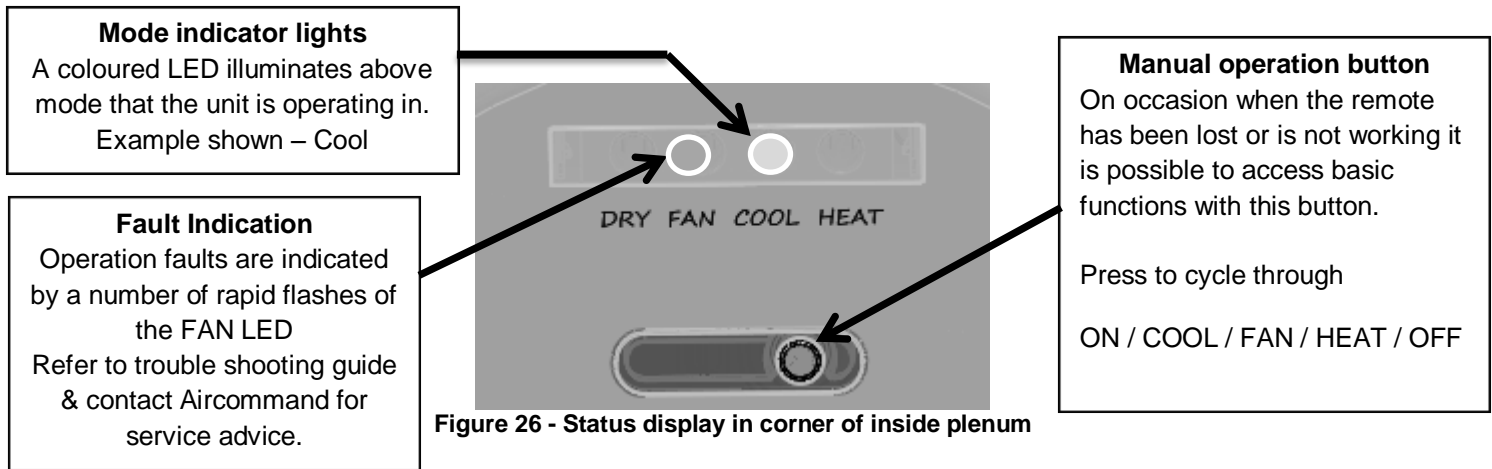


Plenum Status Display (Figure 26)

In addition to the remote control there is a status display on the corner of the inside plenum.

This row of lights indicates the mode that the air conditioner is operating in.

The MANUAL OPERATION BUTTON can be used to access basic functions without the remote.

**OPERATION USING REMOTE CONTROL****SET CLOCK ON REMOTE**

- Press CLOCK (Figure 25– Button #6) Clock icon will flash on display.
- Use Temperature UP / DOWN (Figure 25– Button #11 & 12) to change time.
- When time is correctly displayed press SET (Figure 25 – Button #7)

SET TIMER ON AND TIMER OFF – Note you must complete SET CLOCK first

- Press TIMER ON (Figure 25 – Button #4)
- Temperature UP / DOWN to change time
- When time is correctly displayed press SET (Figure 25– Button #7)
- Repeat above process with TIMER OFF (Figure 25– Button #5)

COOLING MODE

- Turn unit ON (Figure 25– Button #1) (Figure 17)
- Press MODE (Figure 25– Button #2) until COOL is displayed in the Mode Display (Figure 20)
- Press FAN SPEED (Figure 25 – Button #10) until the required speed is selected (Figure 19)
- Press TEMPERATURE UP / DOWN for your required set point temperature. (Figure 21)

DRY MODE

- Turn unit ON
- Press MODE until DRY is displayed in the Mode Display
- Press TEMPERATURE UP / DOWN for your required set point temperature.

FAN MODE

- Turn unit ON
- Press MODE until FAN is displayed in the Mode Display
- Press FAN SPEED until the required speed is selected

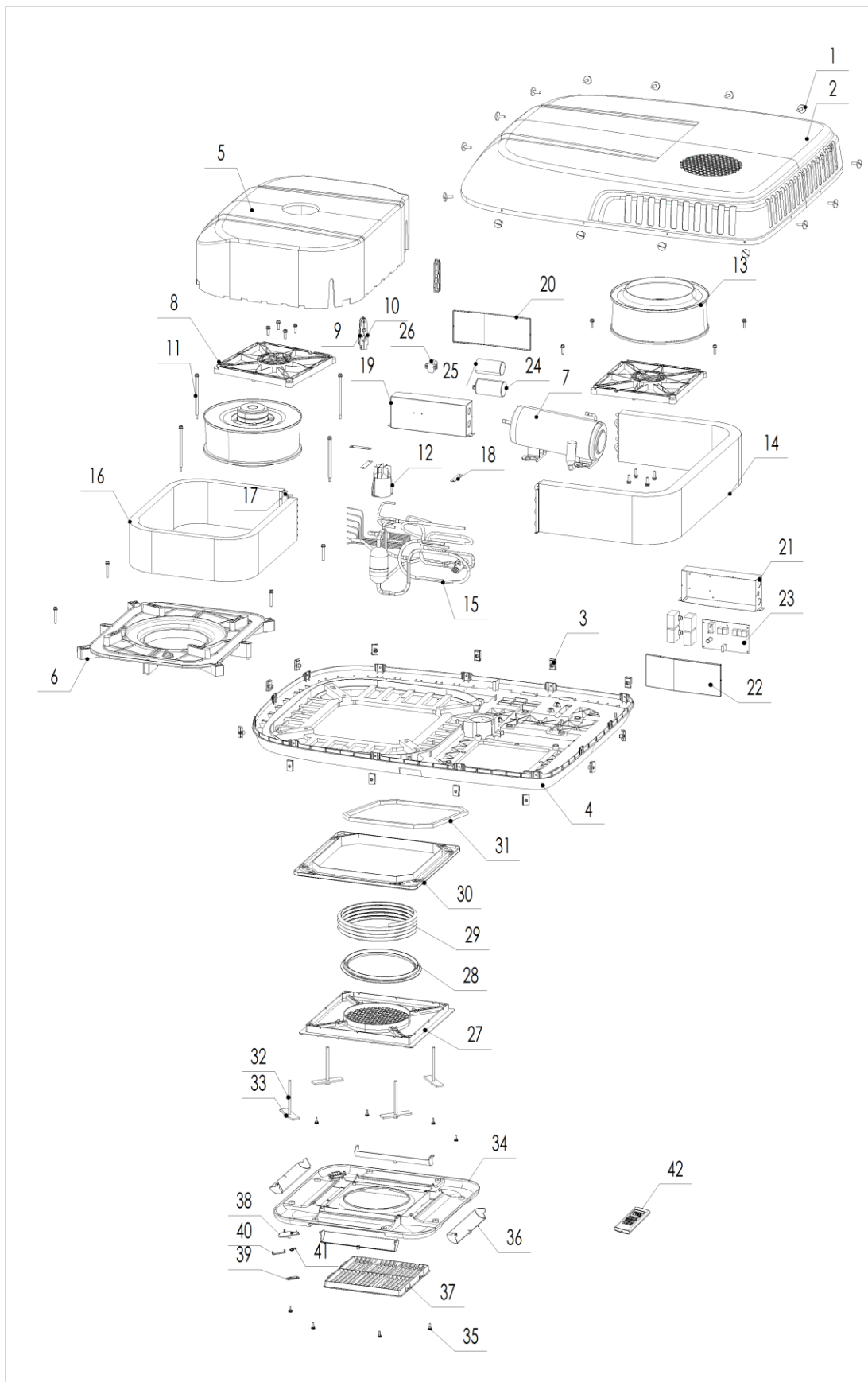
HEATING MODE

- Turn unit ON
- Press MODE until HEAT is displayed in the Mode Display
- Press FAN SPEED until the required speed is selected
- Press TEMPERATURE UP / DOWN for your required set point temperature.

AUTO MODE

- Turn unit ON
- Press MODE until AUTO is displayed in the Mode Display
- Press FAN SPEED until the required speed is selected
- Press TEMPERATURE UP / DOWN for your required set point temperature.

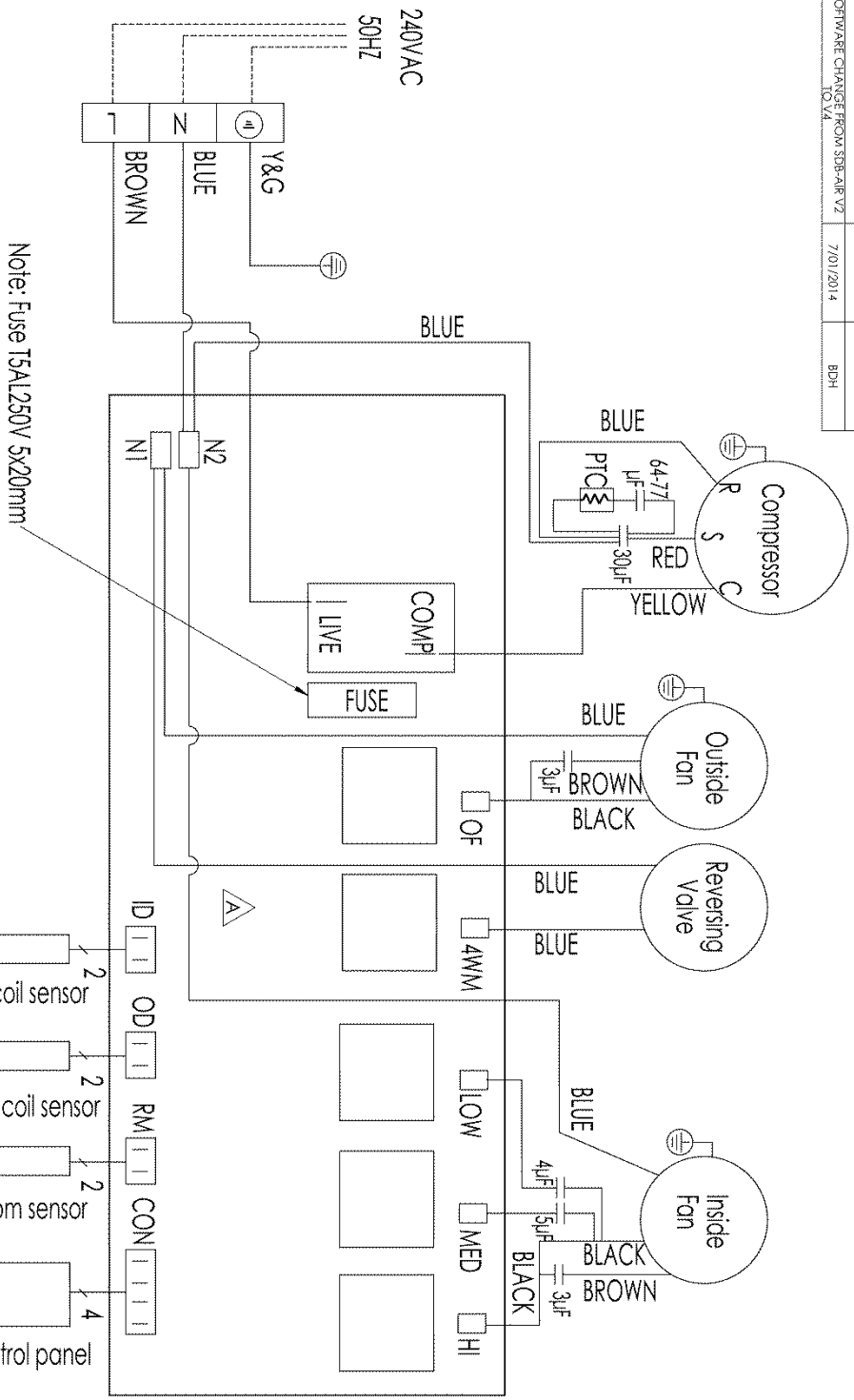
IBIS 3 COMPONENTS & SPARE PARTS



#	Part Description	Part #	QTY
1	Screw M5x12 - White	8101001	13
2	Canopy - Ibis 3	8101020	1
3	Speed clip - M5	8101002	13
4	Base - Ibis 3	8101030	1
5	Evaporator housing	8101005	1
6	Evaporator fan deck	8101006	1
7	Compressor, horizontal 240V AC R407C	0018260	1
8	Fan mounting plate	8101007	2
9	Lead through clip - LHS	8101003	2
10	Lead through clip - RHS	8101004	2
11	Inside fan stud	8101008	4
12	Accumulator holder	8101009	1
13	Fan, centrifugal 310mm	8101010	2
14	Outside coil, 3 row	8101011	1
15	Hermetic piping assembly	8101012	1
16	Inside coil, 2 row	8101013	1
17	End plate, inside coil	8101014	1
18	Hold down plate, piping	8101015	1
19	Electrical box - RHS	8101016	3
20	Electrical box lid - RHS	8101017	1
21	Electrical box - LHS	8101018	1
22	Electrical box lid - LHS	8101019	1
23	Control card	5601069	1
24	Capacitor - Compressor run 30uF / 450V	4101072	1
25	Capacitor - Compressor start 64-77uF / 330V	8101021	1
26	PTC	8001042	1
27	Brace & Grille	8102008	1
28	Spiral duct collar	8102009	1
29	Spiral duct	8102010	1
30	Weather collar	5861001	1
31	Weather collar seal	5861003	1
32	Bolt M8 x 120	4001034	4
33	Ceiling bar	1802063	4
34	Low profile plenum cover	8102006	1
35	Cap, screw hole	0018164	8
36	Air louver	8102011	4
37	Return air filter	8102044	1
38	IR Receiver board	5601072	1
39	IR Receiver bezel	8102011	1
40	IR receiver window	8102012	1
41	Receiver push button	8102013	1
42	Remote control with holder	5601071	1

IBIS 3 WIRING DIAGRAM

REVISIONS				
ZONE	REV.	DESCRIPTION	DATE	APPROVED
D5	A	SOFTWARE CHANGE FROM SDB-AIR V2 TO V4	7/01/2014	BDH



General wiring schematic of Ibis 3 main control board.



954-956 Port Road, Albert Park, SA 5034
 Phone: 61 8 8442026
 Fax: 61 8 8442025
 A/CN: 007 597 234
 Copyright 2007 Arcopremium Australia P/L

CHK'D SCALE: 1:1	DESCRIPTION: Ibis 3 wiring diagram v2
TOLERANCES: XX ± 1.0	DATE:
XXX ± 0.2	DRAWN BY: DIRECTORY:
XXXX ± 0.02	
ANGULAR ± 1°	

TROUBLE SHOOTING GUIDE

Symptom	Cause	Correction
Unit does not operate	No power supply to unit	Check that mains power is plugged into van and that the supply is switched ON. Check the van's air-conditioner power circuit breaker is 'ON'
	Remote control is not operating	Check the remote control screen. If blank then replace batteries <i>See Figure 23 - Remote control batteries.</i> Stand close to unit and point remote directly towards the IR receiver in the plenum. Test operation of remote. If there is no 'beep' from the air conditioner then replace batteries and re test. <i>See Figure 23 - Remote control batteries.</i> Test air conditioner operation by using manual operation button. <i>See Figure 26 - Status display in corner of inside plenum.</i>
	Fault condition rapid flashes of 'Fan' indicator light on plenum	4 rapid flashes – inside coil not cooling "E4" 5 rapid flashes – return air sensor fault "E1" 6 rapid flashes – inside coil sensor fault "E2" 7 rapid flashes – outside coil sensor fault "E3" 8 rapid flashes - outside coil over temperature "E5" Contact Aircommand Australia for specialist advice on fault correction and access to our service agents.
Poor cooling or heating performance	Return air filter is blocked	Remove filter, clean & replace. <i>See Figure 16 - Remove filter from plenum.</i> Clean filter every 4 weeks, more frequently with high use
	Air outlets are closed	Ensure that at least 2 outlets are opened. Highest capacity occurs when all 4 outlets are fully opened.
	Outside fan air intake is blocked	Check that debris has not blocked the external air intake of the roof top unit. Clear intake grille.
	High outside air temperatures in cooling	Take action to reduce your peak heat load – extend awnings, close blinds, windows & hatches, start air conditioner earlier in the morning. Discuss your expected heat load with your caravan supplier and size the air conditioning capacity to suit. Outside air temperature exceeds the unit's operating temperature range.
	Low outside air temperatures in heating	Discuss expected heat loss with your caravan supplier and size air conditioning capacity to suit. Outside air temperature is below the unit's operating temperature range.
	Intermittent operation during very hot & very cold days	During cooling on very hot days the compressor overload may be activated. This is to protect the unit. Take all steps to reduce heat load on caravan. During heating on cold mornings the unit will periodically enter automatic de-ice mode to clear ice from its outside coil. Normal operation will resume once ice has been melted.
Water coming from roof top unit and draining across the outside of the caravan roof	In cooling mode this is 'condensate' water that has been removed from the air inside your van	This is normal. The unit will dehumidify air inside the caravan and provide more comfortable living conditions. In humid conditions close doors, windows and hatches. Run the inside fan on High or Medium. Avoid using Low or Auto fan speeds in these conditions
	In heating mode this is water that has been melted during de-ice cycles	This is normal. During heating on cold mornings the unit will periodically enter automatic de-ice mode to clear ice from the outside coil. Normal operation will resume once ice has been melted.