

↗ DOMETIC AWNINGS 8700 SERIES



Dometic8700

EN **Awning**
Service Manual

Please read this instruction manual carefully before installation and first use, and store it in a safe place. If you pass on the product to another person, hand over this instruction manual along with it.

Table of contents

1	Explanation of symbols	3
2	Important safety instructions for installation	4
3	Servicing the awning	4
3.1	Removing the awning	4
3.2	Removing the torsion rods	8
3.3	Replacing the awning fabric/fabric roller tube	11
3.4	Replacing the torsion rods	13
3.5	Wind torsion rods	16
3.6	Reattach torsion	18
3.7	Remount the awning	18
3.8	Verifying the installation	18
4	Disposal	19

1 Explanation of symbols



WARNING!

Safety instruction: Indicates a hazardous situation that, if not avoided, could result in death or serious injury.



CAUTION!

Safety instruction: Indicates a hazardous situation that, if not avoided, could result in minor or moderate injury.



NOTICE!

Indicates a situation that, if not avoided, can result in property damage.



NOTE

Supplementary information for operating the product.

2 Important safety instructions for installation

Please observe the prescribed safety instructions and stipulations from the vehicle manufacturer and service workshops.

The manufacturer accepts no liability for damage in the following cases:

- Faulty assembly or connection
- Damage to the product resulting from mechanical influences
- Alterations to the product without express permission from the manufacturer
- Use for purposes other than those described in the operating manual



WARNING!

- If you do not have sufficient technical knowledge for installing components in vehicles, you should have a specialist to service your awning.

3 Servicing the awning



NOTICE! Damage hazard

- Prepare an area large enough for the fabric roller tube assembly and the unrolled awning fabric.
The area must be smooth, clean, and clear of debris to prevent fabric damage.



NOTE

- A stepladder may be necessary to reach awning rail.

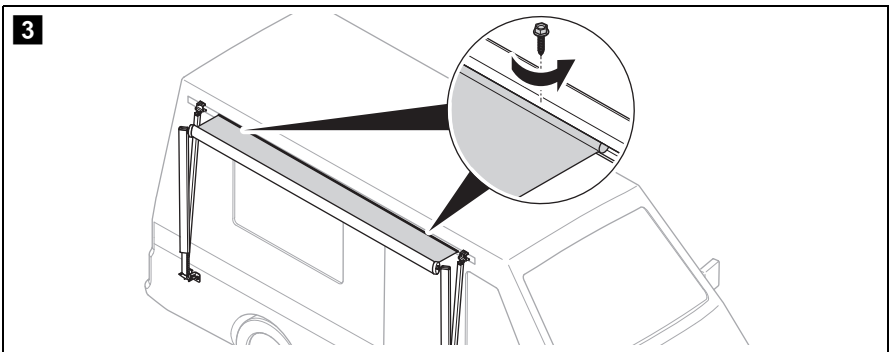
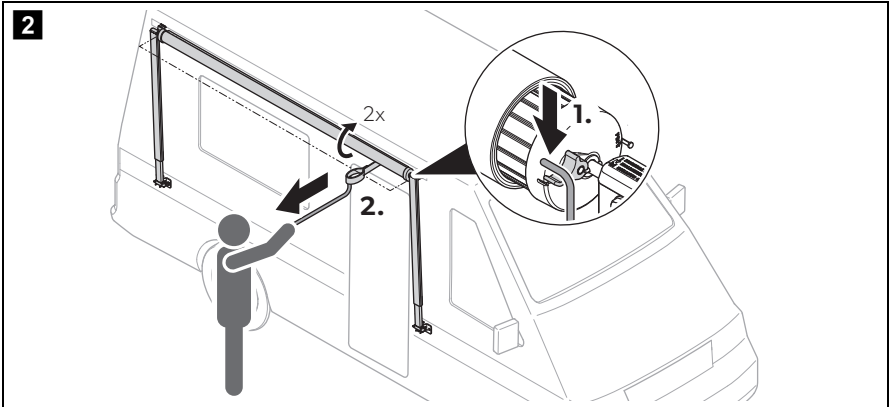
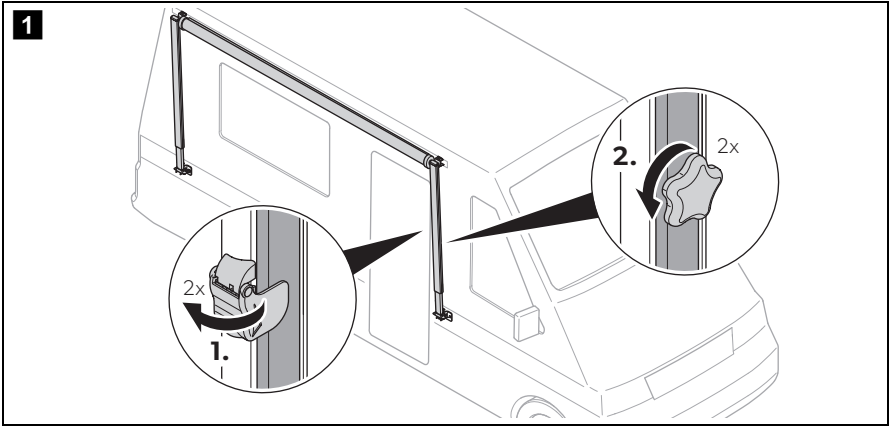
3.1 Removing the awning

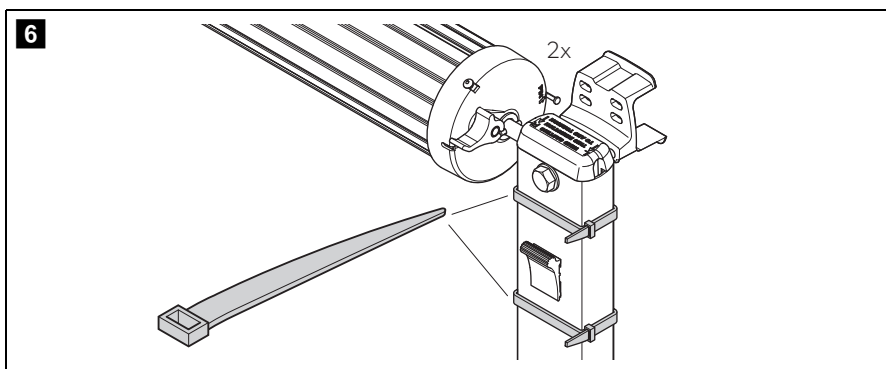
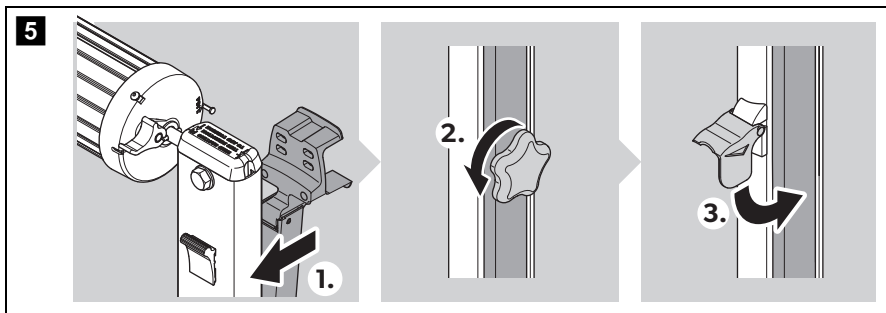
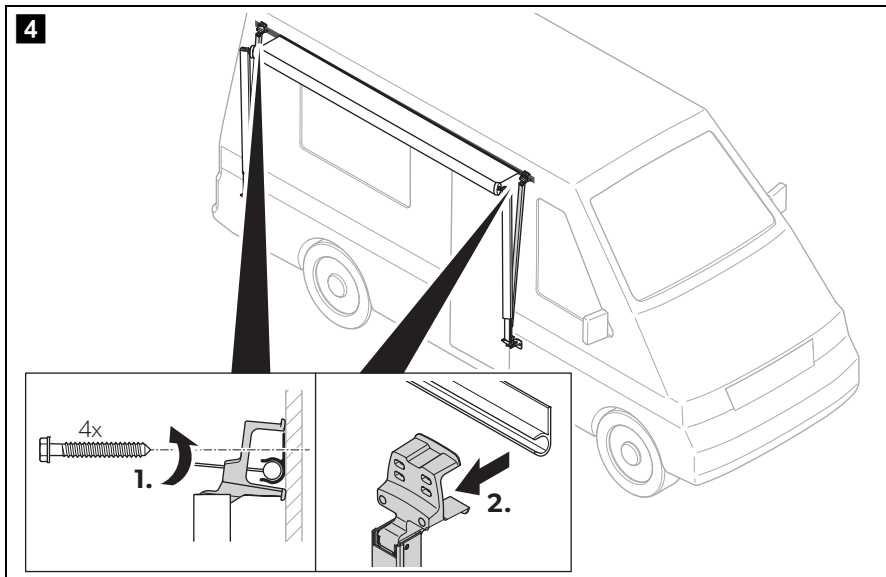
- ▶ Proceed as shown to remove the awning (fig. **1**, page 5 to fig. **10**, page 8).

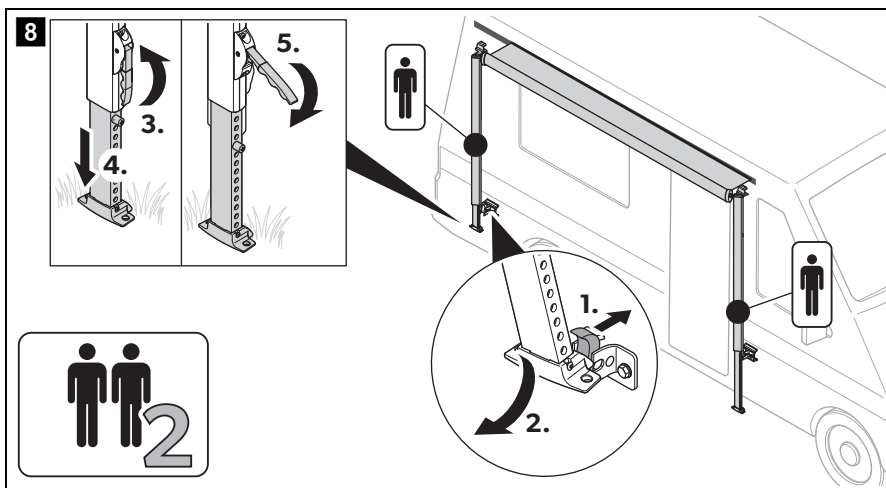
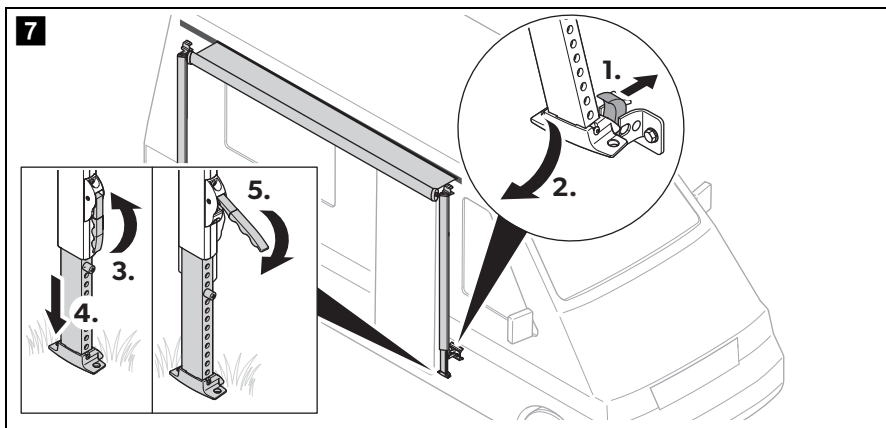


NOTE

Save all mounting materials you remove for reinstallation later.







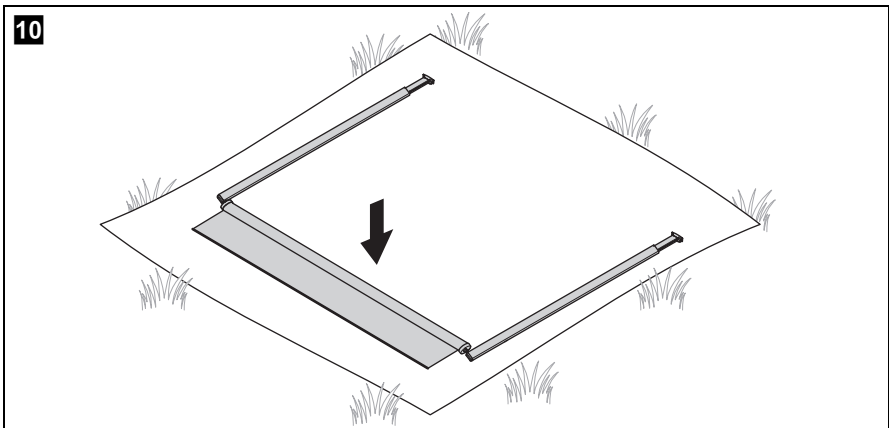
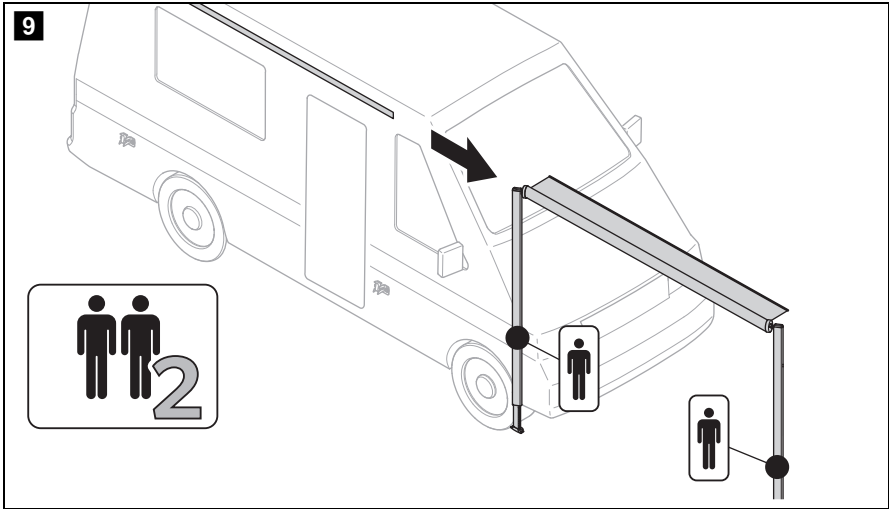
CAUTION! Lifting hazard

Use proper lifting technique and control when lifting product.



NOTICE! Damage hazard

- Keep both arm assemblies parallel to each other to avoid twisting.
- Maintain roll down position of the awning safety lock to prevent the fabric roller tube assembly from uncontrolled unwinding when the fabric is removed from the awning rail.



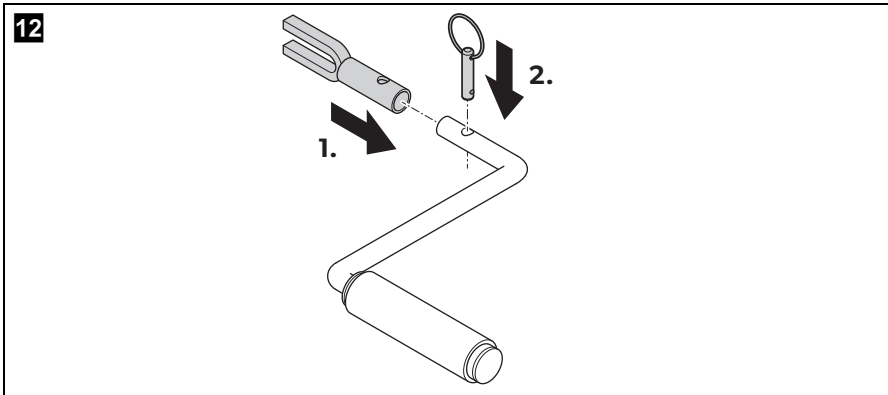
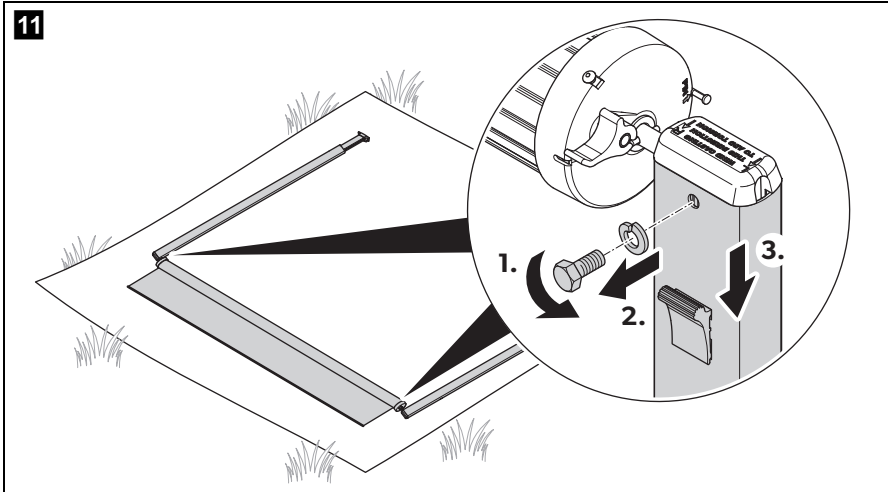
3.2 Removing the torsion rods

- Proceed as shown to remove the torsion rods (fig. **11**, page 9 to fig. **17**, page 11).



WARNING! Health hazard

Do **not** remove the awning from arm assembly until the torsion rod is securely pinned. Otherwise rapid casting spin off will occur. Spring tension will attempt to spin the fabric roller tube quickly and unexpectedly.



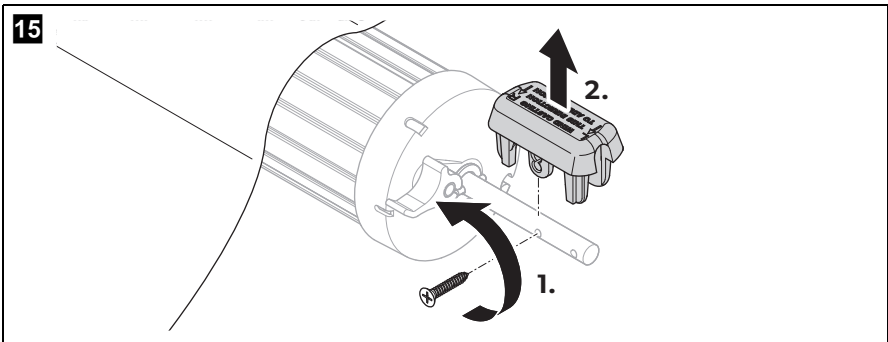
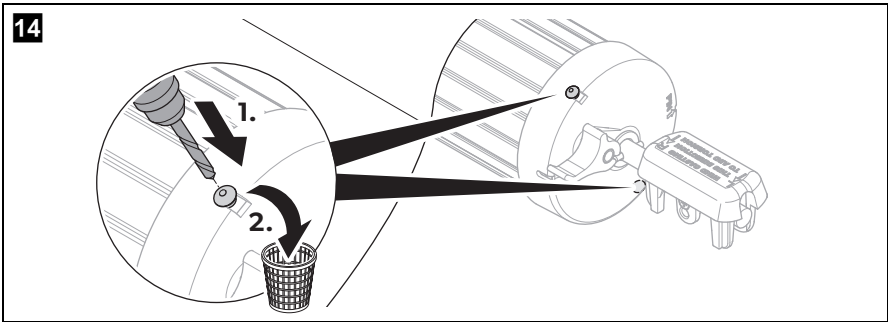
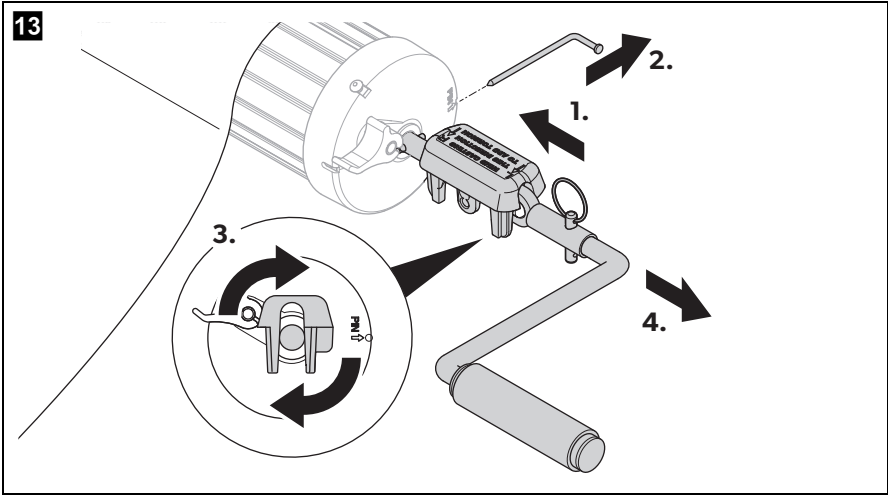
WARNING! Health hazard

- Do **not** remove the nail from torsion rod until the arm cap is securely held. Otherwise rapid casting spin off will occur. Spring tension will attempt to spin the arm cap and/or fabric roller tube quickly and unexpectedly.
- Use extreme care when winding/unwinding the arm cap. If **not** controlled, rapid casting spin off will occur. Spring tension will attempt to spin the arm cap and/or fabric roller tube quickly and unexpectedly.



NOTE

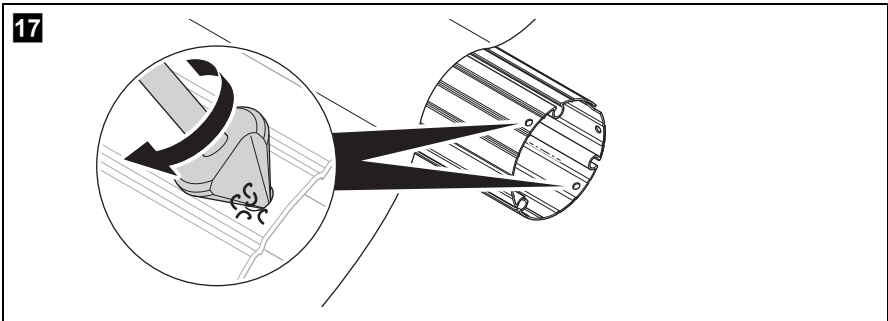
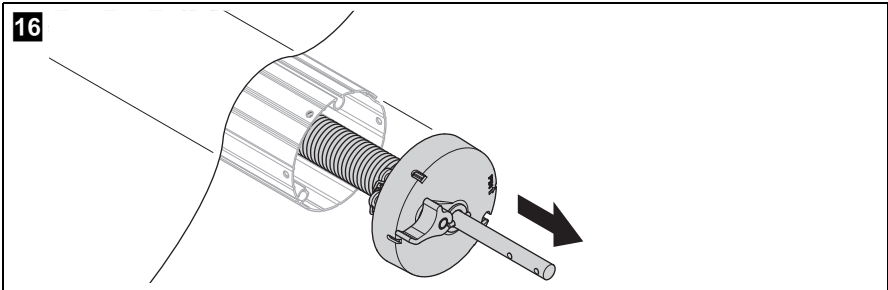
Pin both torsions to prevent uncontrolled unwinding of spring, or unintended awning movement.





WARNING! Health hazard

Do **not** remove the torsion from the fabric roller tube until spring tension is released. If the torsion rod is also **not** pinned at end cap, rapid casting spin off will occur. Spring tension will attempt to spin the arm cap and/or end cap quickly and unexpectedly.



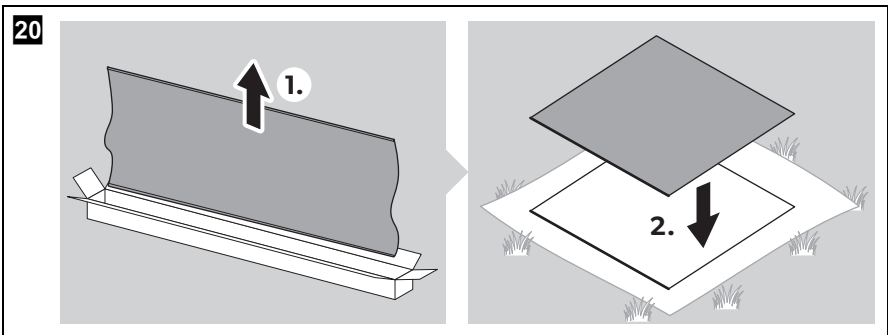
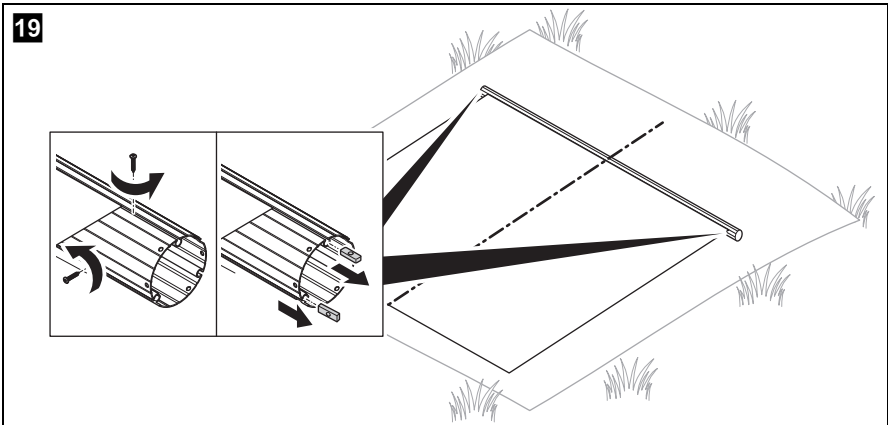
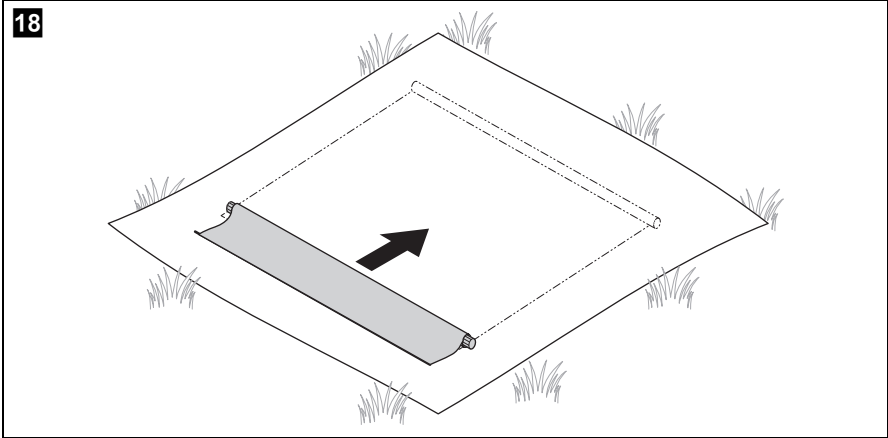
3.3 Replacing the awning fabric/fabric roller tube



NOTE

- If both fabric roller tube **and** awning fabric will be replaced, discard the old ones.
- If replacing the awning fabric, leave the old fabric on the work surface for added protection of new fabric during the installation procedure.

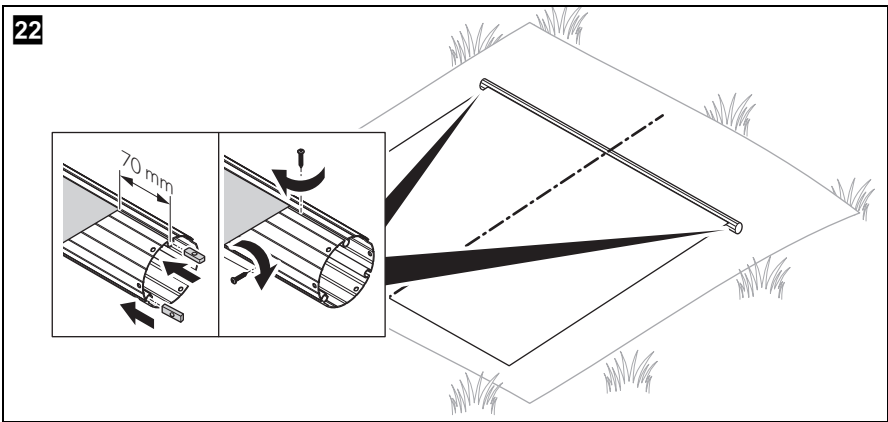
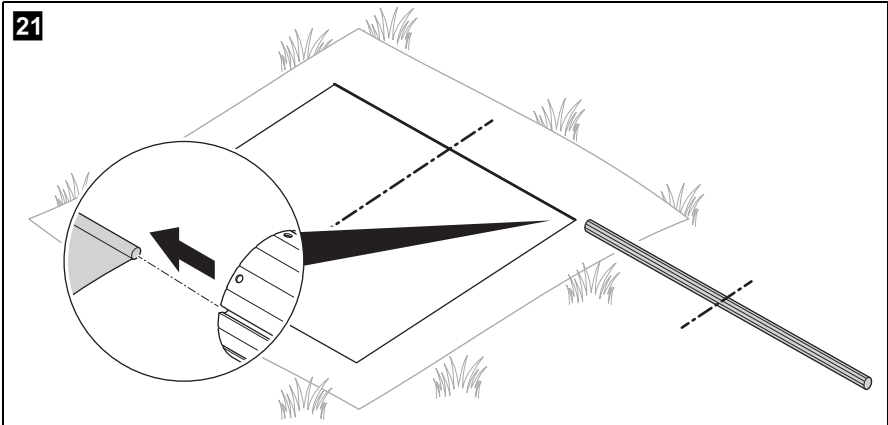
- Proceed as shown to remove the awning fabric and/or the fabric roller tube (fig. **18**, page 12 to fig. **22**, page 13).





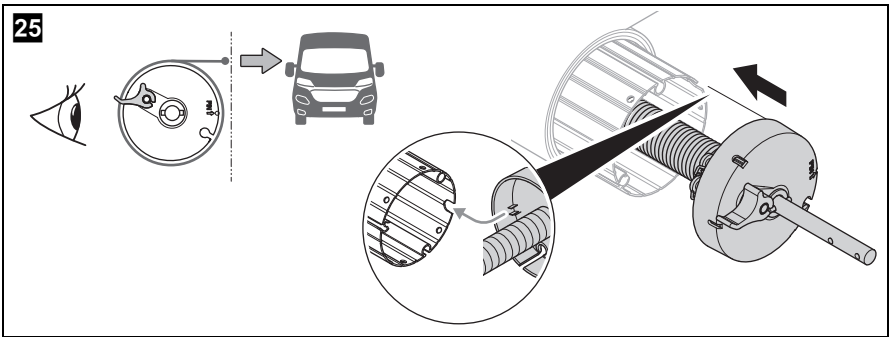
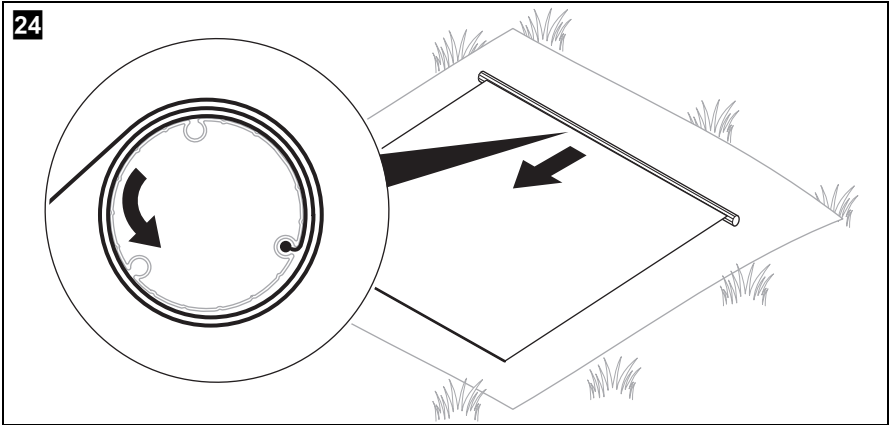
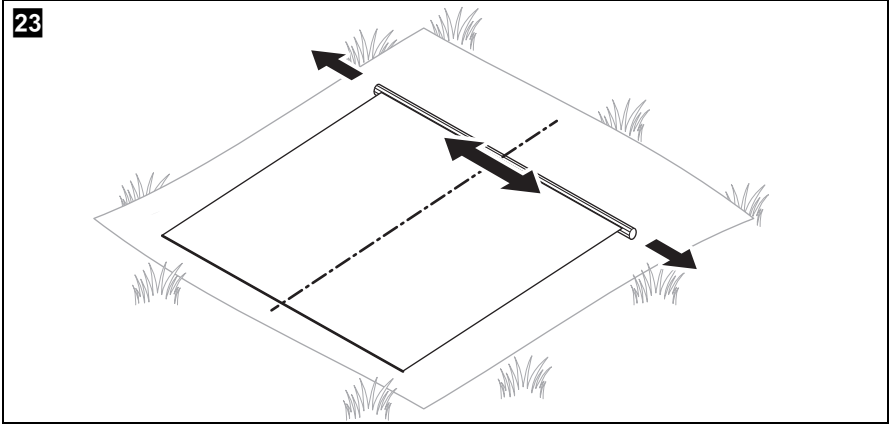
NOTE

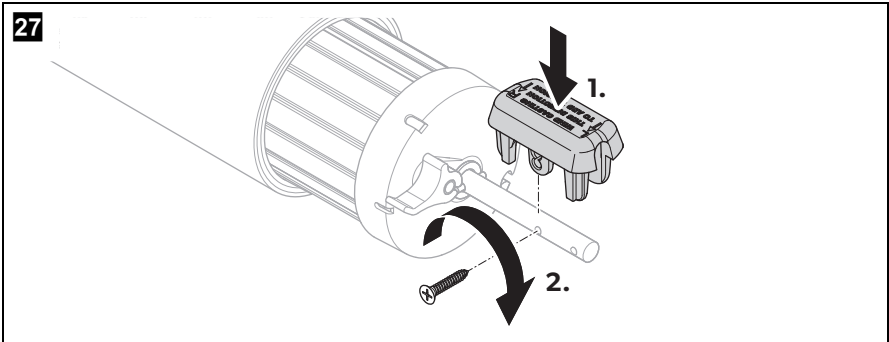
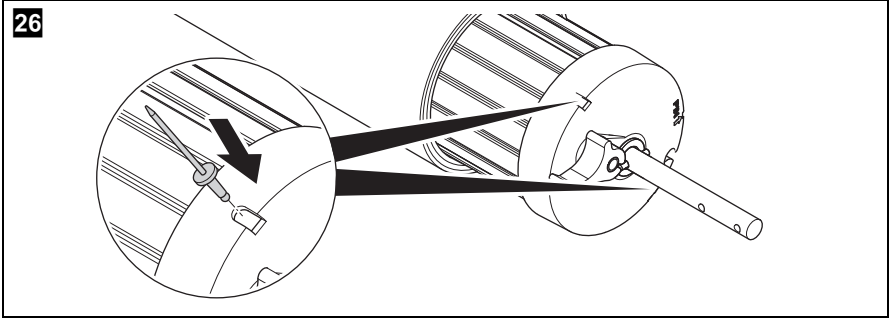
Discard the old fabric roller tube if damaged.



3.4 Replacing the torsion rods

- Proceed as shown to replace the torsion rods (fig. 23, page 14 to fig. 27, page 15).





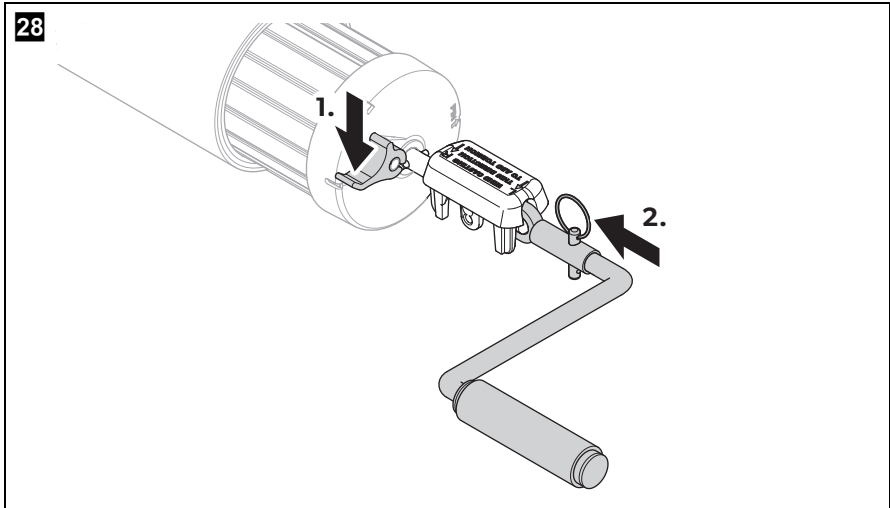
3.5 Wind torsion rods

- Proceed as shown to reattach the torsion rods (fig. 28, page 16 to fig. 29, page 17).



WARNING! Health hazard

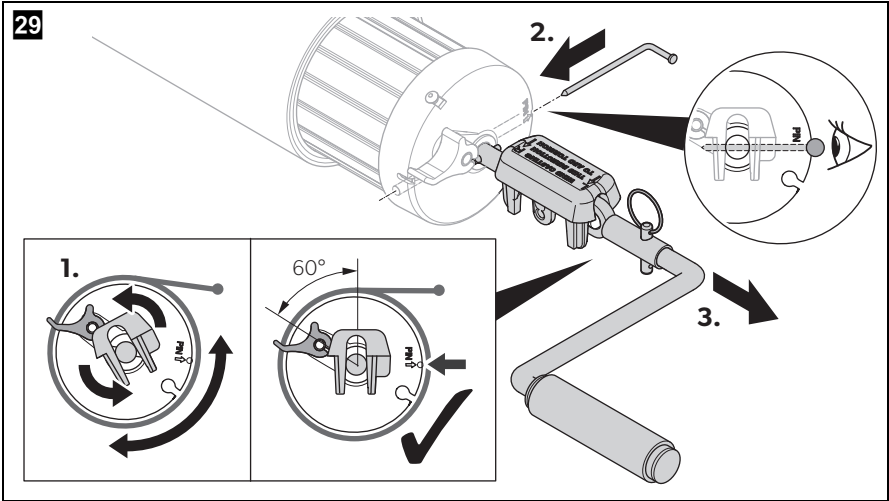
Use extreme care when winding/unwinding the arm cap. If **not** controlled, rapid casting spin off will occur. Spring tension will attempt to spin the arm cap and/or fabric roller tube quickly and unexpectedly.



The number of turns to achieve the correct torsion spring tension depends on the awning model and width (see the following table).

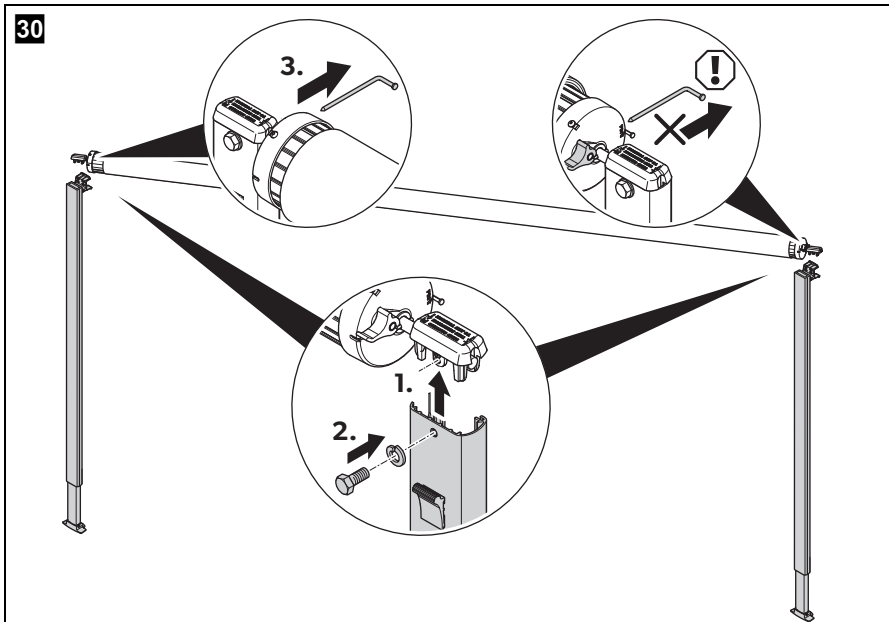
If awning is installed on the RV and extended 2 revolutions from the awning rail, add 2 turns to the number of turns in table. Add 6 additional turns to torsion spring when awning is fully extended.

Awning width	Number of turns
8 ft – 12 ft.	8
13 ft – 14 ft.	9
15 ft. – 16 ft.	10
17 ft. – 21 ft.	12



3.6 Reattach torsion

- Proceed as shown to reattach the torsion rods (fig. 30, page 18).



WARNING!

Do **not** remove the nail from torsion rod until both arm caps are secured to corresponding front channels, and awning safety lock lever is in roll down position. Otherwise, rapid casting spin off will occur. Spring tension will attempt to spin the hardware and/or fabric roller tube quickly and unexpectedly.

3.7 Remount the awning

- Proceed as shown in the installation and operating manual.

3.8 Verifying the installation

- Verify the installation by operating the awning according to verify all parts are functioning correctly (see Installation and Operating Manual).

4 Disposal

- Place the packaging material in the appropriate recycling waste bins wherever possible.



If you wish to finally dispose of the product, ask your local recycling centre or specialist dealer for details about how to do this in accordance with the applicable disposal regulations.

Mobile living made easy.



dometic.com

**YOUR LOCAL
DEALER**

dometic.com/dealer

**YOUR LOCAL
SUPPORT**

dometic.com/contact

**YOUR LOCAL
SALES OFFICE**

dometic.com/sales-offices

A complete list of Dometic companies, which comprise the Dometic Group, can be found in the public filings of:
DOMETIC GROUP AB Hemvärnsgatan 15 SE-17154 Solna Sweden