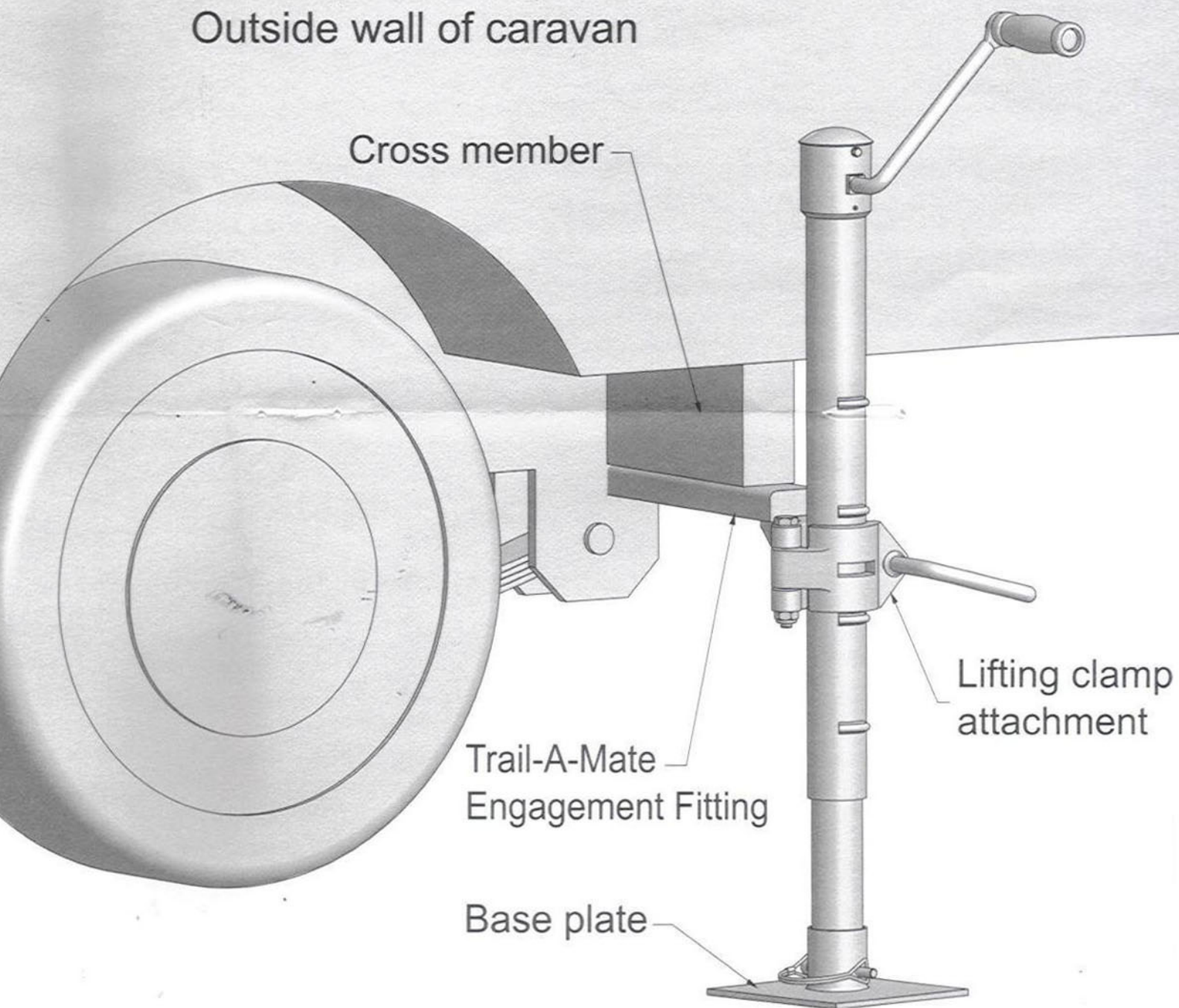


FITTING INSTRUCTIONS

for Trail-A-Mate Sidewinder engagement fitting

Weld Trail-A-Mate Jack engagement fitting to the bottom of the cross-member at the REAR of the axle keeping flush to outside wall of caravan



IMPORTANT: PLEASE NOTE

Some older model caravans need to have cross-member at rear of axle strengthened to accommodate engagement fitting