

## Midi-Heki

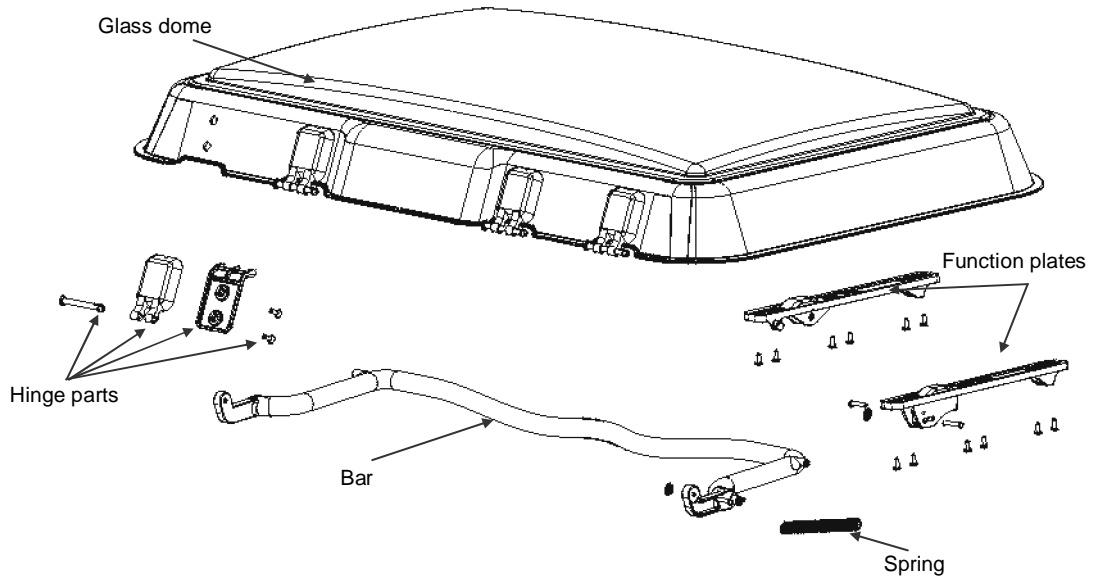


Outside view



Inside view

## Glass dome



PROBLEM:

Replacing the glass dome  
Replacing the function plate  
Replacing the hinge parts  
Replacing the bar

### Replacing the bar



Open the glass dome all the way. Detach the tension spring and remove the axis clamping cap from the function plates. Push the colored cylinder pin from the inside outward with a punch. Then take out the bar. Install the new part in the reverse order of sequence.

### Replacing the glass dome



Remove the glass dome as described under Replacing the bar. Remove the hinge pins with a long-nose pliers. The new glass dome is installed in the reverse order of sequence.

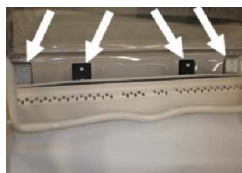
### Replacing the function plate



Remove the bar as described under Replacing the glass dome. Loosen the screw connections between the function plate and the glass dome with a screw driver and take off the function plate.

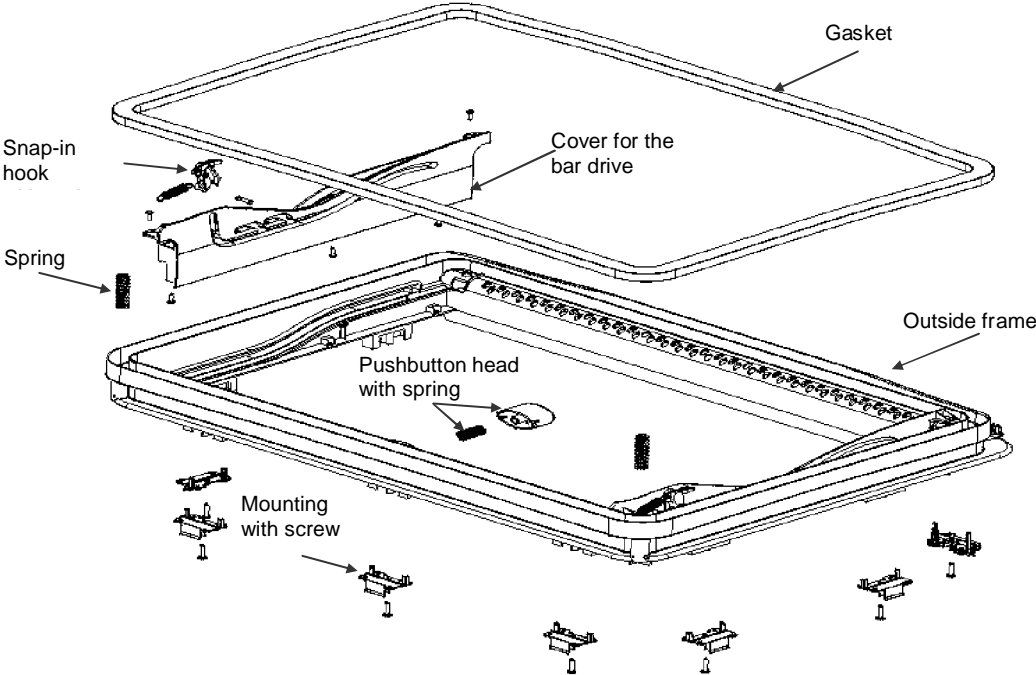
Install the new part in the reverse order of sequence.

### Replacing the hinge parts



Remove the window as described under Replacing the glass dome.. Place the glass dome carefully down on a padded surface and loosen the screws in the hinges. Now the hinges can be removed and replaced with new ones. The glass dome and the bar are installed in the reverse order of sequence.

Outside frame



PROBLEM:

- Replacing the outside frame
- Replacing the rubber seal
- Replacing the cover for the bar drive
- Replacing the pushbutton head

## Replacing the the outside frame

Remove the inside frame as described under Replacing the inside frame.



Remove the inside frame and loosen the Phillips screws on the mountings.

Attention!: The risk of rupturing the roof sheeting exists when the outside frame is removed.

Begin by trying to lift the complete outer frame on one of the corners upward. Remove any sealing residue from the surface of the roof and clean with a grease free agent. Apply a suitable sealing agent (e.g. butyl) onto the sealing surface of the outer frame before installing the main frame. Install the outside frame in the reverse order of sequence.

## Replacing the rubber seal



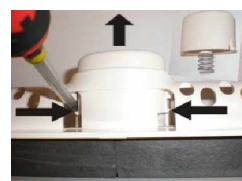
Open the glass dome all the way. Take the profile gasket out of the groove. The profile gasket is glued on the corners (radii) and on the butts with super glue. A razor blade or a small screw driver must be used to remove adhesive or rubber residue from the groove. Insert new gaskets and glue them in place.

## Replacing the cover for bar type versions



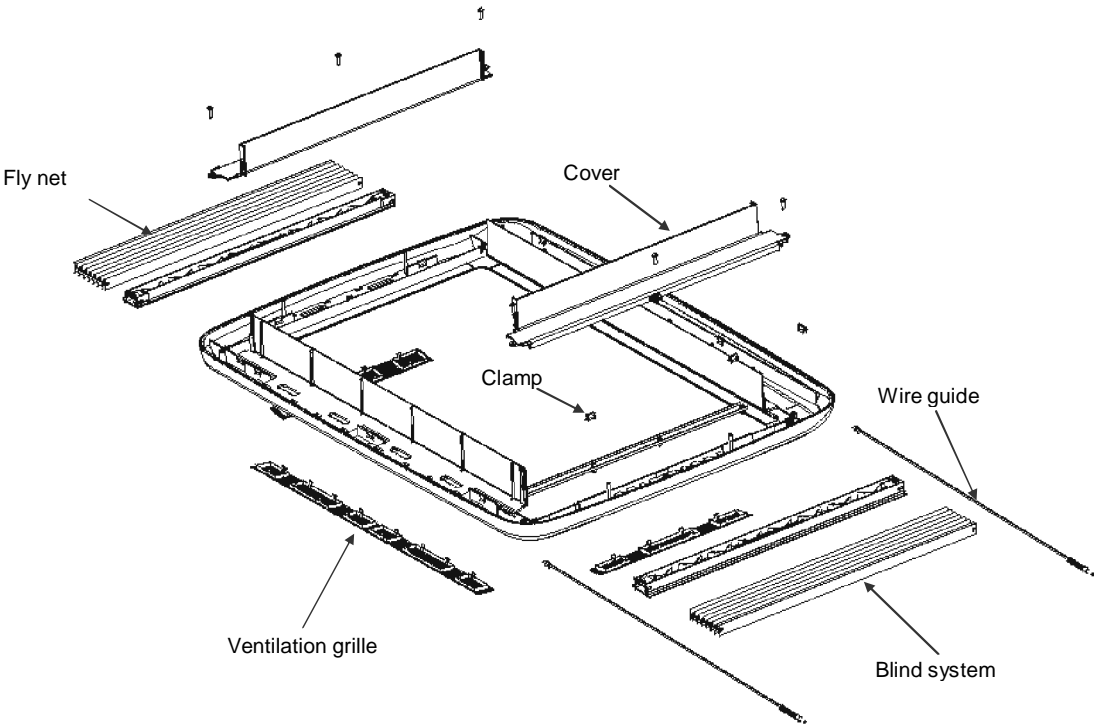
Remove the bar as described under Replacing the bar. Thereafter, loosen the 5 Phillips screws (see image). Remove the component and install the new part in the reverse order of sequence.

## Replacing the pushbutton head



Press the clamping hook inward with a screwdriver and the pull the pushbutton head outward at the same time. Fit the new part on the main frame and press downward.

Inner frame



PROBLEM :

- Replacing the inner frame
- Replacing the blind system
- Replacing the fly net

## Replacement of the inner frame

Take off the inner frame insofar as it is not screwed on below the ventilating grille. Dismantle the ventilating grille (do not bend it back too strongly) if the inner frame is screwed on and loosen the screws which are located underneath it. The inner frame must be detached by two persons and the cable connections loosened between the inner and outer frames (only electrical version). The assembly is done in reverse order.

## Replacement of the blackout system

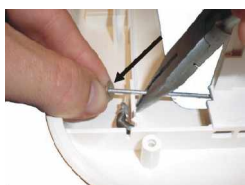
Take off the inner frame in the same way as described in 'Replacement of the inner frame'.



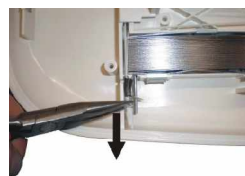
Dismantle the pinned-up covers on the side by means of loosening the Phillips screws.



Remove the spring clips for fixing the blackout fabric with the aid of a screwdriver.



Take off the axle clip caps at the end of the wire guide.



Release the cord brake on the leaden seal from the anchorage with the aid of pointed pliers.



Pull back the lateral rod guide with the aid of pointed pliers, until the blackout system is released from the wire guide.

Push the complete folding interior blind with the closing rod backwards until it touches the inner frame and then remove it. It is absolutely essential to pay attention that the cords are positioned accurately during the replacement, in order to ensure the function afterwards. The wire guide is fixed with the axle clip caps and other components (cover, etc.) in reverse order to the dismantling.

## Replacement of the gauze screen

The gauze screen is replaced in the same way as described in 'Replacement of the blackout system'.